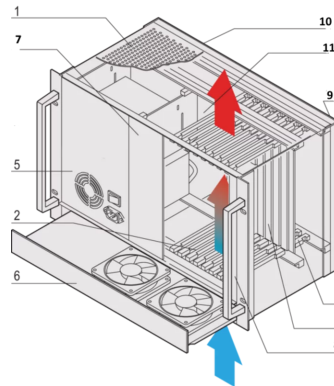


24579-026 CPCI SYSTEM WITH ATX PSU, 7 U, 8 SLOT



**KEY FEATURES**

In accordance with IEC-60297-3-101, -102, -103; IEEE-1101.1, 1101.10/11; backplane in accordance with PICMG-2.0 rev. 3.0

System with vertical card cage. Board format Front: 6-U, 160-mm deep; Rear I/O: 6-U, 80-mm deep

Backplane 8 slot, 6-U, 64 bit; system slot right; 8-HP wide CPU can be used

Heat dissipation by 1-U hot-swap fan unit, from bottom to top

ATX PSU, 300-W

**PRODUCT ATTRIBUTES**

Product Type: System

Number of Slots: 8

Type: 19" Rack Mount

Backplane Type: 6 U CompactPCI

Data Transfer: 64-bit PCI Bus

Power per Slot: 40 W

Input Voltage AC: 100 – 240 V

Airflow Direction: Bottom to Top

Rack Height: 7 U

Power Supply Type: (1) ATX PSU

Power Supply Included: Yes

Rear I/O: Yes

Complies With: PICMG 2.0 R3.0

Depth: 275 mm

Height: 310.35 mm

## ADDITIONAL PRODUCT DETAILS

---

7 U CompactPCI System with vertical Card Cage for eight 6 U Boards, eight RTM Boards and built in ATX Power Supply.

Modified systems available on request.

## CERTIFICATIONS

---



### North America

All locations  
+1.763.422.2661  
Chat with us:  
[schroff.nvent.com](https://schroff.nvent.com)

### Europe

Straubenhardt, Germany  
+49.7082.794.0  
Betschdorf, France  
+33.3.88.90.64.90  
Warsaw, Poland  
+48.22.209.98.35  
Assago, Italy  
+39.02.932.7141  
Chat with us:  
[schroff.nvent.com](https://schroff.nvent.com)

### Asia

Shanghai, China  
+86.21.2412.6943  
Qingdao, China  
+86.532.8771.6101  
Singapore  
+65.6768.5800  
Shin-Yokohama, Japan  
+81.45.476.0271  
Chat with us:  
[schroff.nvent.com](https://schroff.nvent.com)

### Middle East & India

Dubai, United Arab Emirates  
+971.4.378.1700  
Bangalore, India  
+91.80.6715.2001  
Istanbul, Turkey  
+90.216.250.7374  
Chat with us:  
[schroff.nvent.com](https://schroff.nvent.com)



Our powerful portfolio of brands:  
[nVent.com](https://nVent.com) **CADDY ERICO HOFFMAN RAYCHEM SCHROFF TRACER**

© 2023 nVent. All nVent marks and logos are owned or licensed by nVent Services GmbH or its affiliates. All other trademarks are the property of their respective owners.

nVent reserves the right to change specifications without notice.