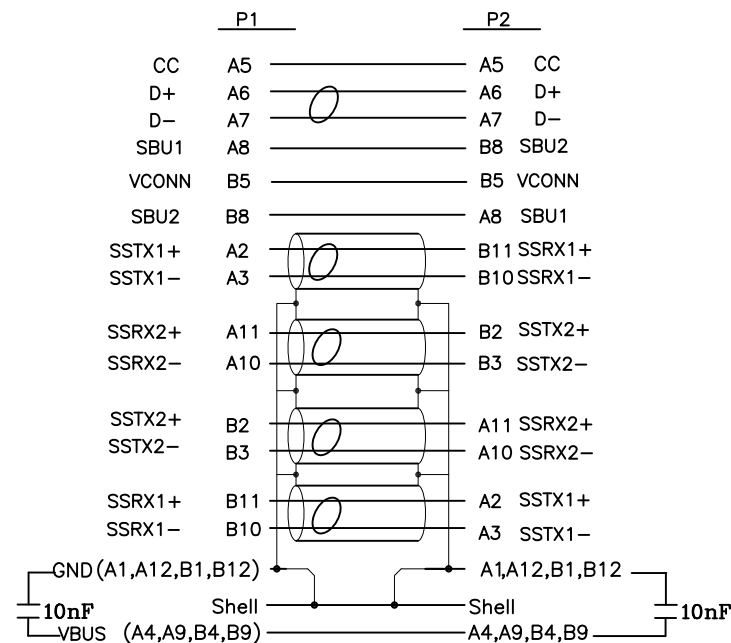


Pin Assignment



Electrical Test:

1. 100% Test(Open ,short ,miss wire)
2. Contact Resistance: 3 ohm max.
3. Speed 500MB/S

7	Type C Metal DOWN Cap	2	pcs
6	Type C Metal UP Cap	2	pcs
5	Outside Molding:45P PVC Color:Black	17	g
4	Inside Molding:Polyamide Resin	1.0	g
3	USB3.1 Type C Connector Shell Nickel Plated With PCB+SMT	1	pcs
2	USB3.1 Type C Connector Shell Nickel Plated With PCB+SMT~EMARK	1	pcs
1	USB3.1~[30AWG(7/0.105TC)+EAM]*4P+[32AWG(7/0.08TC)+AM]*1P+34AWG(7/0.06TC)*1C+26AWG(19/0.10TC)*2C+[34AWG(7/0.06TC)+A]*3C+A2EB(24/11/0.06TC 90%)OD:5.2MM~PVC Black Marking:E342987 兠 AWM STYLE 2725 80℃ 30V VW-1	AR	m
NO	DESCRIPTION	Q'TY	UNIT

		TOLERANCE			
		INCHES	M/M		
		.X	.015 .30		
		.XX	.010 .10	TITLE: ROLINE USB3.1 Cable, PD 20V5A, C-C, M/M, 0.5m Black	
		.XXX	.005 .05		
DRAWN BY	QJL	Item No.:	11.02.9052		
CHECK BY		SCALE	NONE	DRAWING NO.:	REV. AO1
APPD BY		UNIT	MM		
		DATE	2018.06.25		1/1