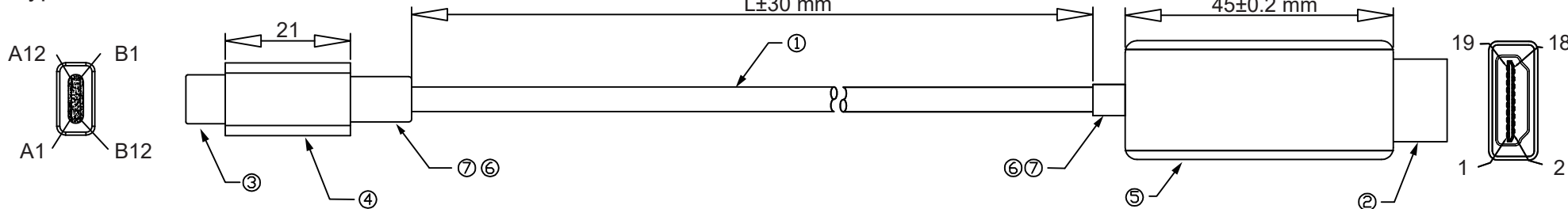
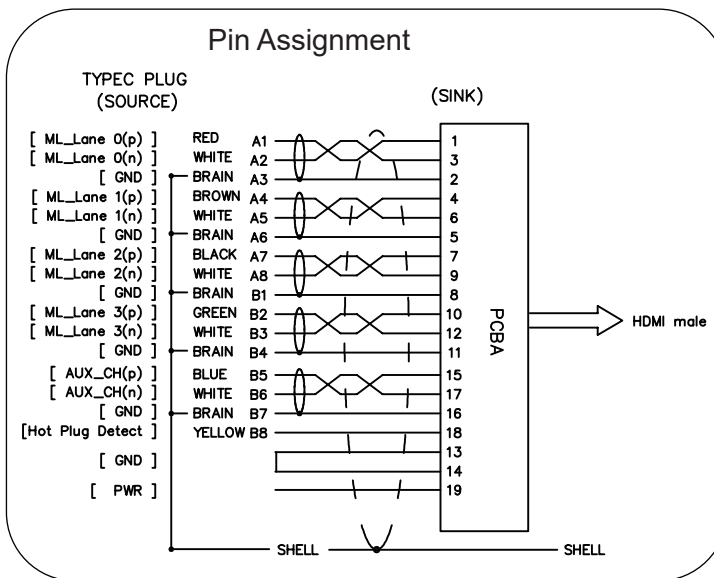


Type C Male

HDMI Male



Pin Assignment



Note: Type C TO HDMI Real Machine Detection
Source Resolution:
3840 * 2160P Refresh @Rate: 60HZ

Specification :

- 1 Cable UL20276, [(32AWG*1P+AL/MY)*4C+32AWG*3C+28AWG*1C+24AWG*2C]+AL/MY+BD. Jacket Color: Black. OD: 4.8±0.15 mm
- 2 Conn. HDMI Male. Shell: Nickel Plated W/PCBA
- 3 Conn. Type C Male. Insulator: Black. Shell: Nickel Plated
- 4 Outer Cover For Type C Male. ABS
- 5 Outer Cover For HDMI Type A Male. ABS
- 6 Inside Molding PE
- 7 Outside Molding PVC: 45P. Color: Black

Table :

Part No.	Length	Resistance
11.04.5842	3000mm	2 ohm
11.04.5843	5000mm	2 ohm

Rev.	Date	Contents of Change	Designer	Tol±								Approve	Check	Draw	Design	Product Name	Product No.
				Range	Pla	Met	Ins	Por	Cab	Pac	Gas						
△1				0~6	0.1	0.1	0.1	0.2	0.5	1	0.5	0.2	Allen	Allen	Philip	ROLINE Adapter Cable USB Type C-HDMI,	M/M, Black
△2				6~30	0.1	0.1	.15	.25	1	1	0.5	.25				2018-06-21	11.04.5842 / 11.04.5843
△3				30~80	0.1	.15	0.2	0.3	2	1.5	1	0.3					
△4				80~180	.15	.15	.25	0.3	2	2	1	.45					
△5				180~315	.15	0.2	0.3	0.4	2.5	2	1	0.6					
△6				315~800	0.2	0.3	0.4	0.5	3	3	2	1.1	Scale	1 : 1	Unit	mm	

