



Datenblatt - Fiche technique - Data sheet

12.01.2025



Sechskantmuttern 6mm lang, 10 Sets

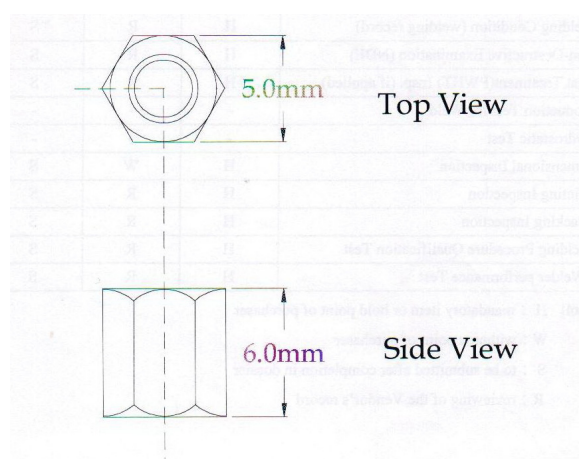
Ecrous hexagon., long. 6,0mm, 10×2 écrous

Hexagonal Nut, 6mm long, 10 Sets

Item no.: 12.01.2025
Hexagonal Nut, 6mm long



1. Dimension : 5mm x 6mm Long



2. Material: Brass with Nickle plated

3. Tread : # 4-40 UNC

Outer dimension : $0.06 + 0.013 * 4 \text{ in} = 0.112 * 25.4 \text{ mm} = 2.845 \text{ mm}$

Number of thread : 40 threads

Tread pitch : $25.4 / 40 = 0.635 \text{ mm/each}$

Tread type : Unified Coarse-thread