



Datenblatt - Fiche technique - Data sheet

17.99.1127



VALUE LCD-Befestigung, Wandmontage, 4 Gelenke

VALUE Bras pour écran LCD, montage mural, 5 pivots

VALUE LCD Monitor Wall Mount Kit, 4 Joints

Model No.: 17.99.1127
 Product Name: LCD Monitor Arm

Weight Capacity:	15kgs
Monitor Mounting Holes	VESA 75*75mm and 100*100mm
Application using	wall mounting
color available:	silver

Packaging Type: (blister pack, chipboard box, cardboard box etc.)

Level 1:	1pc/white box			
Level 2:	6pcs/carton			
Level 3:				
or Pack	Packs Per	per Master	Master	Cartons Per
1			6	

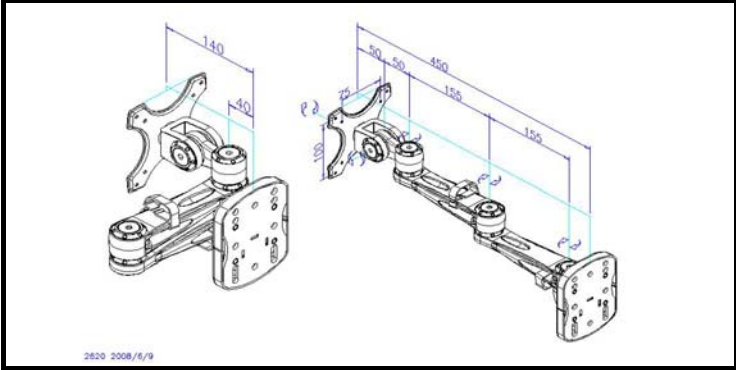
Packaging Dimensions Metric

	Height	Width	Length
Product Dimensions:			
Unit box Dimensions:	24.4	15.0	13.3
Inner Carton Dimensions:			
Master Carton Dimensions:	47.0	27.0	31.0
Master Carton Cubic Meters:	0.048		
Master Carton Weight Kgs:	15.600		

Packaging Dimensions In Inches/Cubic Feet/Pounds

	Height	Width	Length
Product Dimensions:			
Unit Box Dimensions:	9.6	5.9	5.2
Inner Carton Dimensions:			
Master Carton Dimensions:	18.5	10.6	12.2
Master Carton Cubic Feet:	1.69		
Master Carton Weight lbs:	34.40		

Product Dimension:



Product Description:

*Mount your LCD monitor onto the wall with a 45cm long die-casting aluminum arm
 *Meets with VESA 75 x 75mm or 100 x 100mm
 *Load capacity: 15kgs for most 26" LCD monitors

Product Photo:



Enable 3D View