



Datenblatt - Fiche technique - Data sheet

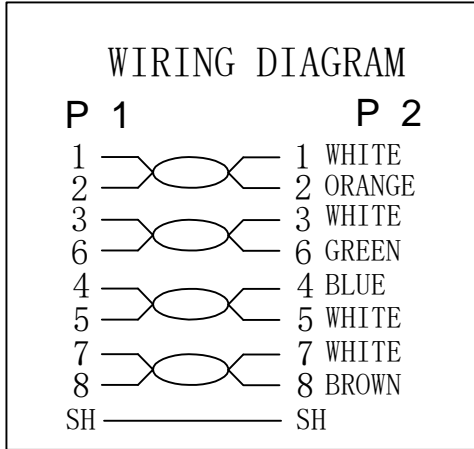
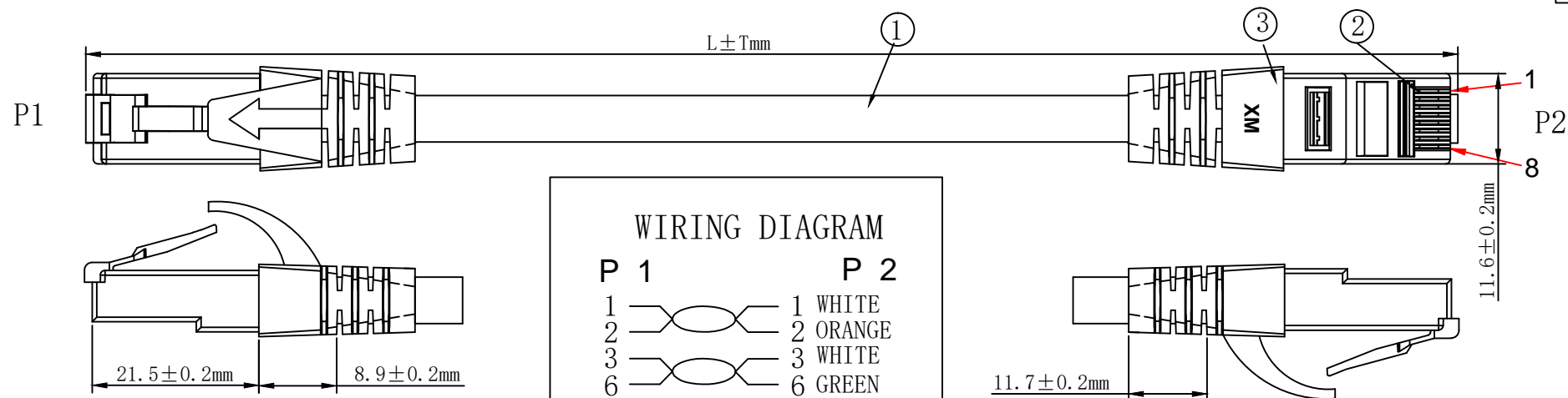
**21.15.2780**



ROLINE Patchkabel Kat.6A UTP, Component Level, LSOH, braun, 0,5 m

Cordon ROLINE UTP Cat.6A / 10 Gigabit, Component Level, LSOH, brun, 0,5 m

ROLINE UTP Patch Cord Cat.6A, Component Level, LSOH, brown, 0.5 m



**1. ELECTRICAL TEST:**

- (1).100% OPEN SHORT & MISS WIRE TEST;
- (2).INSULATION RESISTANCE:DC 250V 20M OHM MIN;
- (3).CONTACTOR RESISTANCE:30 OHM MAX

**2.PRINTING:GHMT® roline CAT.6A U/UTP COMPONENT PATCH CORD LSZH 500MHZ ISO/IEC**

11801 & EN 50173-1 & ANSI/TIA-568-C.2

3.100% Component Patch cord Test PASS

4.Minimum bending radius:60mm

**MATERIAL LIST**

⑥	LABEL	NO DRY GLUE LABEL	1PCS	
⑤	MINI TIE	PE MINI TIE(POSSESS METAL)	2PCS	
④	POLYETHYLENE BAG	POLYETHYLENE BAG	1PCS	
③	OVER MOLD	88A PVC Brown	2PCS	
②	CONNECTOR	RJ45 8P8C'S UNSHIELDED PIN GOLD PLATED 3u", Transparent Blue	2PCS	
①	CABLE	S/FTP CAT.6A 26AWG (BC*1P+AL-FOIL)*4P+BRAID CABLE JACKET LSOH OD=6.2±0.2MM	1PCS	
NO.	PARTS NAME	SPECIFICATION STANDARD	QT' Y	REMARK

COLOUR:Brown (PANTONE:463C)

ITEM NO.	LENGTH (L)	TOLERANCE (T)
21. 15. 2989	300mm	± 10mm
21. 15. 2780	500mm	± 15mm
21. 15. 2781	1000mm	± 30mm
21. 15. 2784	1500mm	± 45mm
21. 15. 2782	2000mm	± 60mm
21. 15. 2783	3000mm	± 90mm
21. 15. 2785	5000mm	± 150mm
21. 15. 2786	7500mm	± 210mm
21. 15. 2787	10000mm	± 300mm
21. 15. 2788	15000mm	± 450mm
21. 15. 2789	20000mm	± 600mm

ITEM NO.	21. 15. 2989	21. 15. 2780	21. 15. 2781	21. 15. 2782	21. 15. 2783
21. 15. 2784	21. 15. 2785	21. 15. 2786	21. 15. 2787	21. 15. 2788	21. 15. 2789
DESC.	ROLINE U/UTP PatchCord CAT. 6A, LSOH, Comp. Level, Brown				

BY	CHK	NEW REVISION RECORD MODIFICATIONS	2016-09-13	A
			DATE	REV.

