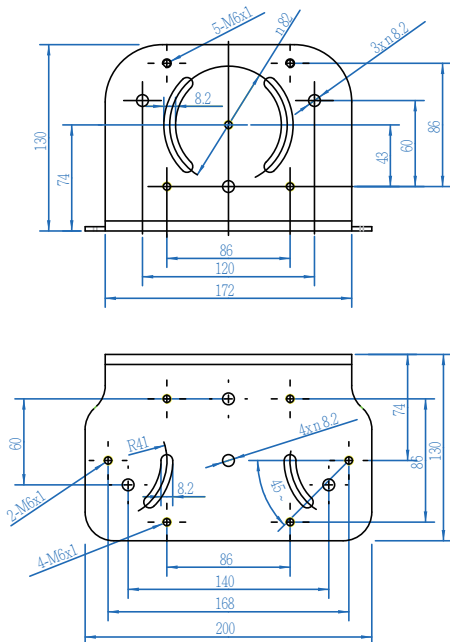


CMA-B04 Installation Guide

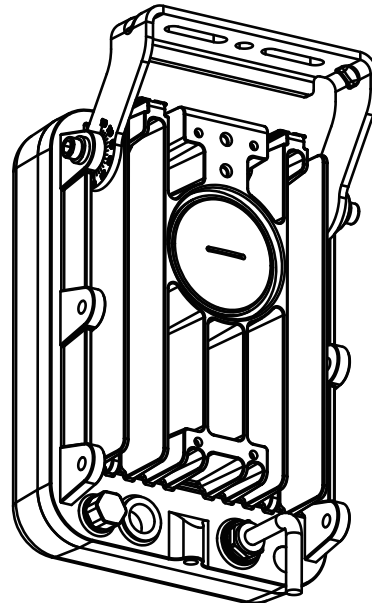
No. of illuminators	Applicable scenarios:	Adjustable Angle	Included screws
1 or 2	Wall mount; Pole-mount: AM-311/AM-312 Corner-mount: AM-411/ AM-412	Yes	1 illuminator: Hex socket screw: M6x1 x 4 Hex nut: M6x1 x 2 2 illuminators: Hex socket screw: M6x1 x 8 Hex nut: M6x1 x 4

* Another 3 M5 self-tapping screws and anchors are also included.

Bracket Dimensions:

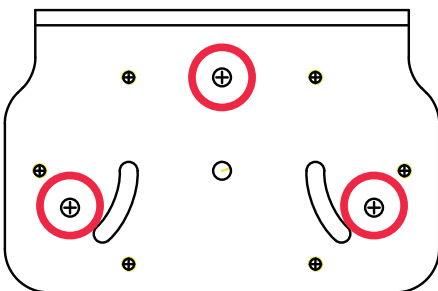


1. Install the standard U bracket to the illuminators.

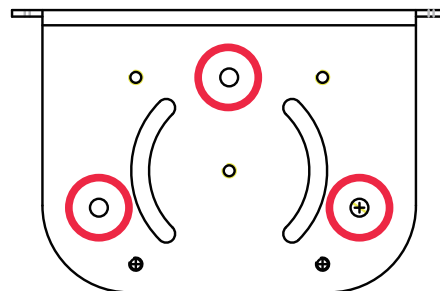


2. Mounting holes:

2-1. Mounting holes to wall: See below for the mounting hole positions for the bracket. Use different sets of mounting holes when installing single or dual illuminators.

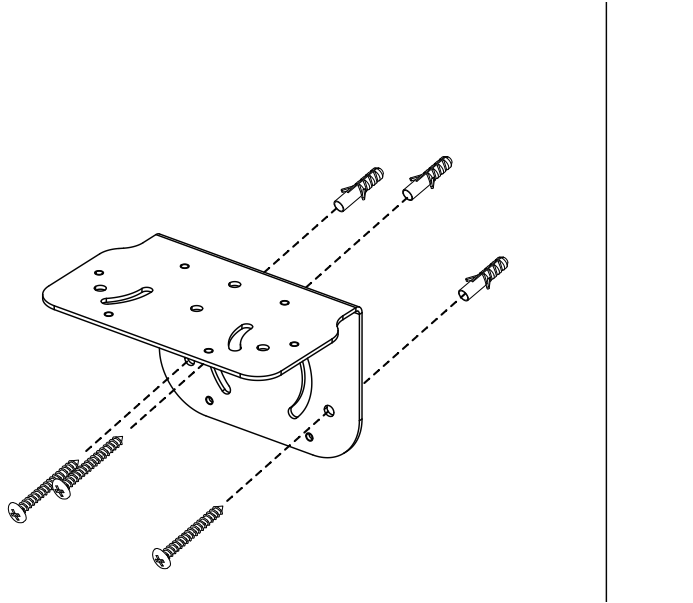


Single
illuminator



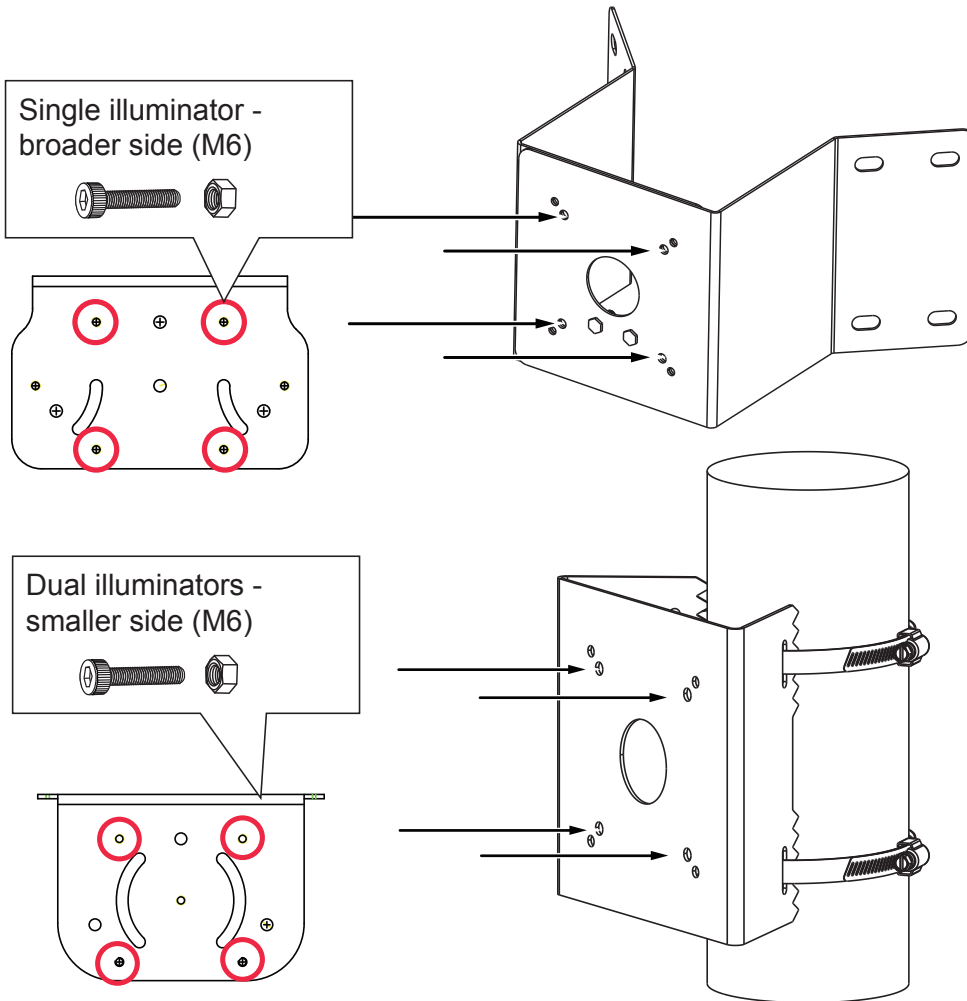
Dual
illuminators

Shown below is a bracket secured to wall, in the dual-illuminator configuration.



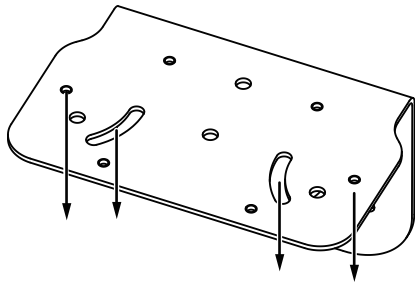
2-2. Mounting holes to the pole- or corner-mount bracket:

When pole- or corner-mounted, use the below mounting hole positions. Use the mounting holes on different sides of the bracket when installing a single or dual illuminators. Refer to the documentation that came with the pole-mount or corner-mount brackets for more information.



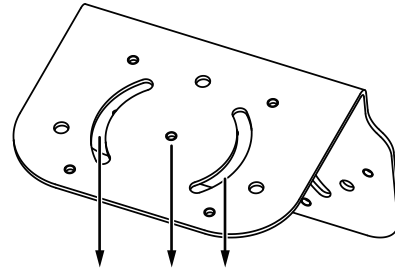
3. Securing cameras:

See below for the mounting hole positions for the illuminators. Use different sets of mounting holes when installing single or dual illuminators.



2 illuminators

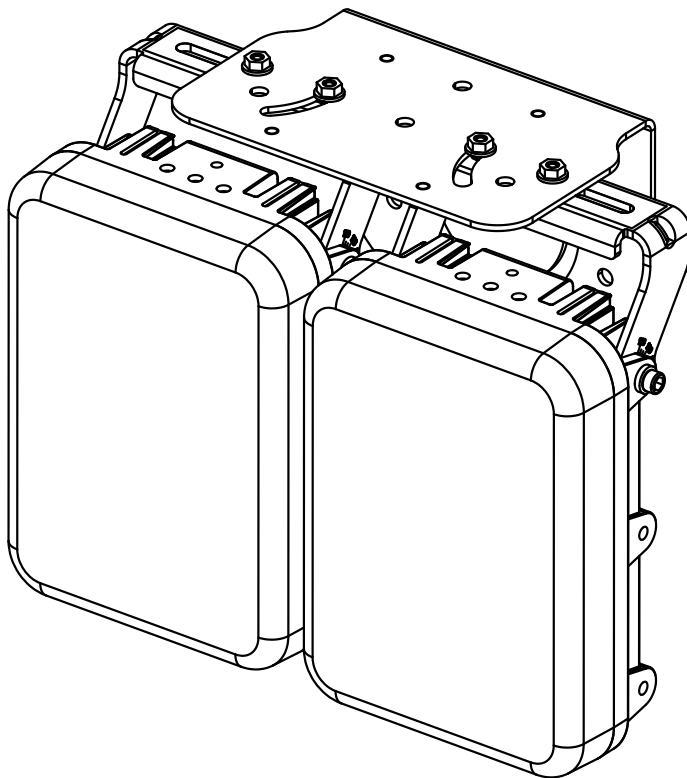
(use the broader side)



1 illuminator

(use the smaller side)

4. Depending on the configuration, use 2 or 3 screws to secure illuminators to the bracket. It is recommended to start driving screws using the threaded mounting holes on the sides.



This page is intentionally left blank.