

1

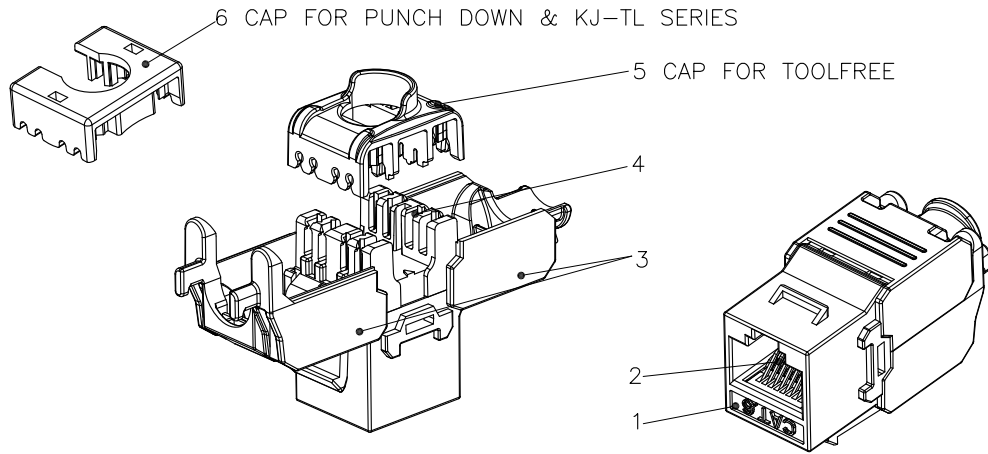
2

3

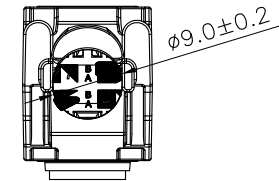
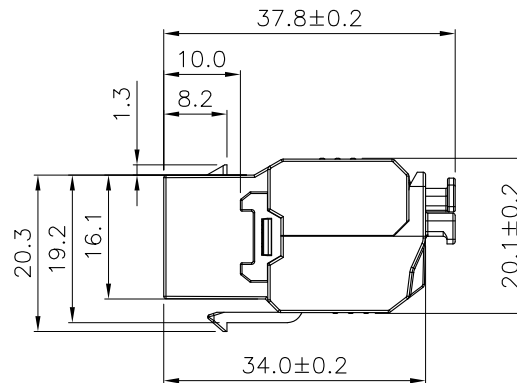
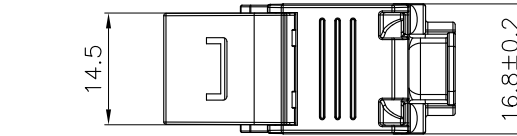
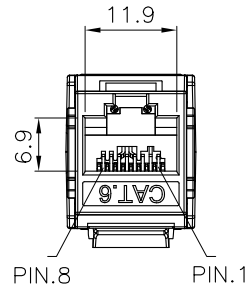
4

5

6



SCALE 1/1



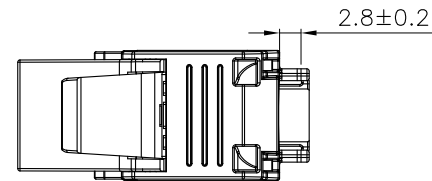
Specification :

Material :

1. RJ45 Jack :
 - 1-1. Housing : ABS+PC, UL 94-V0, with optional color.
 - 1-2. Contact Bracket : PC, UL 94-V2, Transparent color.
2. RJ45 Jack Contact :
 - 2-1. Material : Phosphor Bronze with Nickel plated.
 - 2-2. Finish : 50 micro-inch Gold plated on Plug contact area.
3. Cap A&B : ABS+PC, UL 94-V0, Black color.
4. IDC :
 - 4-1. Housing : PC+Glass Fiber, Grey color(RAL7035), UL 94-V2.
 - 4-2. Terminal : Phosphor Bronze with Tin plated.
5. Cap For Toolfree : PC+Glass Fiber, White color, UL 94-V2.
6. Cap For Punch Down : PC+Glass Fiber, White color, UL 94-V2.
7. PCB : FR4, UL 94-V0.

Performance :

- a. T568A & T568B wiring.
- b. Insertion Force : 20N max. (IEC 60603-7-4).
- c. Retention Strength : 7.7 kg between Jack and Plug.
- d. Operating Temperature : -10°C to 60°C. (ISO/IEC 11801, ANSI/TIA 568 C.2).
- e. Life(mating cycles) :
 - e-1. Jack : 750 cycles min. (ISO/IEC 11801, IEC 60603-7-4.)
 - e-2. IDC : Suitable for 23-26 AWG stranded and solid wire, compatible with both 110 & Krone punch down tool.
 - e-3. Tool-less : When using the IDC Cap for wire management.
- f. The Cat.6 transmission performance is in compliance with the ANSI/TIA 568 C.2 standard.



GENERAL TOLERANCE OF DIMENSIONS X.XXX ±0.005 X.XX ±0.05 X.X ±0.1	DRAWING	08.AUG.2014	CHP	SECOMP I
	CHECK	08.AUG.2014	DAY	
	APPROVAL	08.AUG.2014	JAIMY	
	DATE		NAME	
SCALE	1/1 (A4)	UNIT	mm	ITEM NO.: 26.11.0353
DRAWING NO. 		ROLINE Keystone Jack, Cat.6, RJ-45, unshielded, light grey		
		DRAWING CLASSIFICATION	S	SHEET

1

2

0

3

4

10cm

5

6