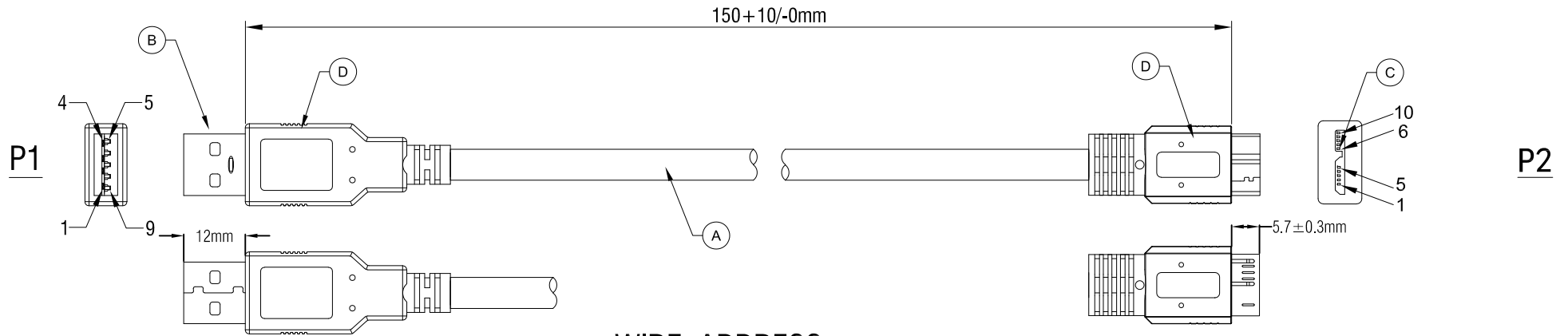
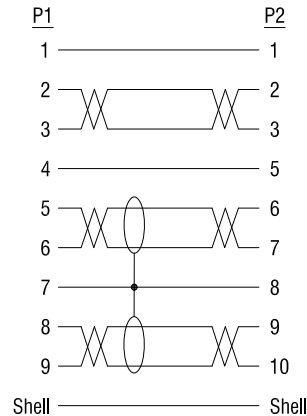


RoHS Compliant



WIRE ADDRESS



Electrical Test:
 1.100% TEST OPEN SHORT MIS-WIRE.
 2.CONTACT RESISTANCE:3Ω MAX.
 3.INSULATION RESISTANCE:5MΩ MIN.
 4.HI-POT:300V DC/10MS.

D	45P PVC BLACK		G	ROLINE USB 3.2 Gen 1 Cable, A - Micro B, M/M, black, 0.15 m		
C	USB 3.0 Micro B MALE(Black Insulator,Shell Nickel Plated,Pin Gold Plated 30U")	1	PCS	Item	11.02.8876	
B	USB 3.0 A MALE(Blue Insulator,Shell Nickel Plated,Pin Gold Plated 30U")	1	PCS	Draw	Sam Date: 2014.11.12	
A	UL2725 OR UL20276 (28AWG*1P+EAM)*2C+28AWG*1P+24AWG*2C+AEB,OD=5.5mm, BLACK PVC JACKET.	1	PCS	Approval		
NUMBER	BOM.NO	PRODUCT SPECIFICATIONS	Quantity	Unit	Duty F16 BOM.NO:13488	
			Sample NO.	Drawings of 1 (2) Proportion: 1:1 Unit(mm)		A4