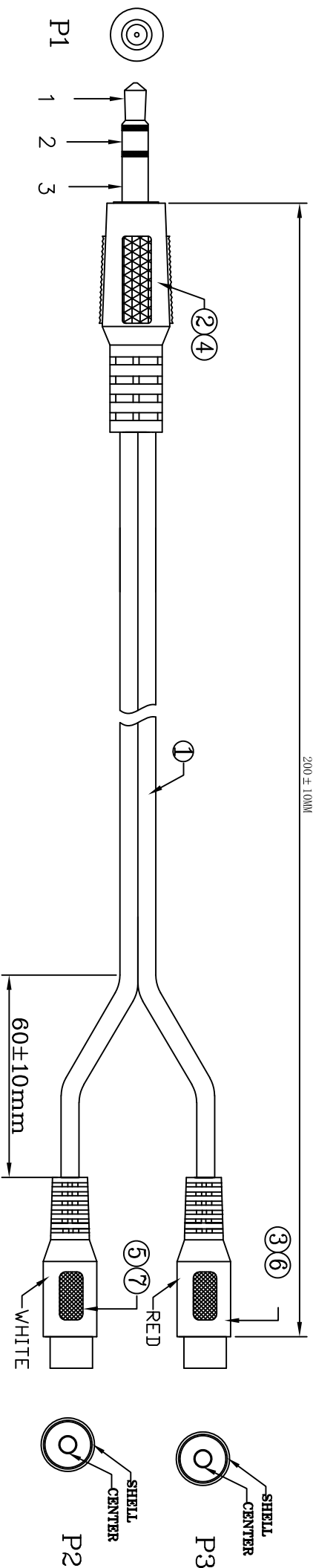


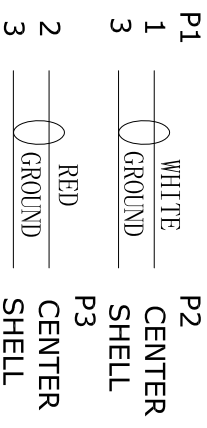
200 ± 10MM



ELECTRICAL TEST:

1. 100% OPEN & SHORT & MIS WIRE TEST
2. CONTACT RESISTANCE: 2 OHM(MAX)
3. INSULATION RESISTANCE: 10M OHM(MIN)
4. HI-POT TEST: DC 300V/10ms

WIRE CONNECTION



Mold Number:

RCA	Mold Number:	RCN289-D-4-01-CE RCW289-D-4-01-CE
DC	Mold Number:	DCW283-D-4-01-CE DCN283-D-2-02-CE

NO	ITEM	DESCRIPTION	Q'TY	UNIT	APPD BY	TOLERANCE INCHES	TOLERANCE M/M	P/N :	SCALE	UNIT	DATE	DRAWING NO.:	REV.	
7	RCA F Rubber core White	Φ8.3MM Shell Nickel plating	1	pcs		.X	.30	TITLE: ROLINE 3.5mm/2x RCA (F) Cable, 0.2m SECOMP	NONE	MM	2013.03.20	11.09.4340	AO	
6	PVC~45P~Red		6	g		.XX	.10							
5	PVC~45P~White		6	g		.XXX	.05							
4	PVC~45P~Black		6	g										
3	RCA F Rubber core Red	Φ8.3MM Shell Nickel plating	1	pcs										
2	DC3.5 M~OD:6.0MM~Shell Nickel plating		1	pcs										
1	NO-UL~(28AWG*1C+S)*2F(Red White)OD:2.8*2.8MM~Black		0.2	m										
												CA1790175	1/2	