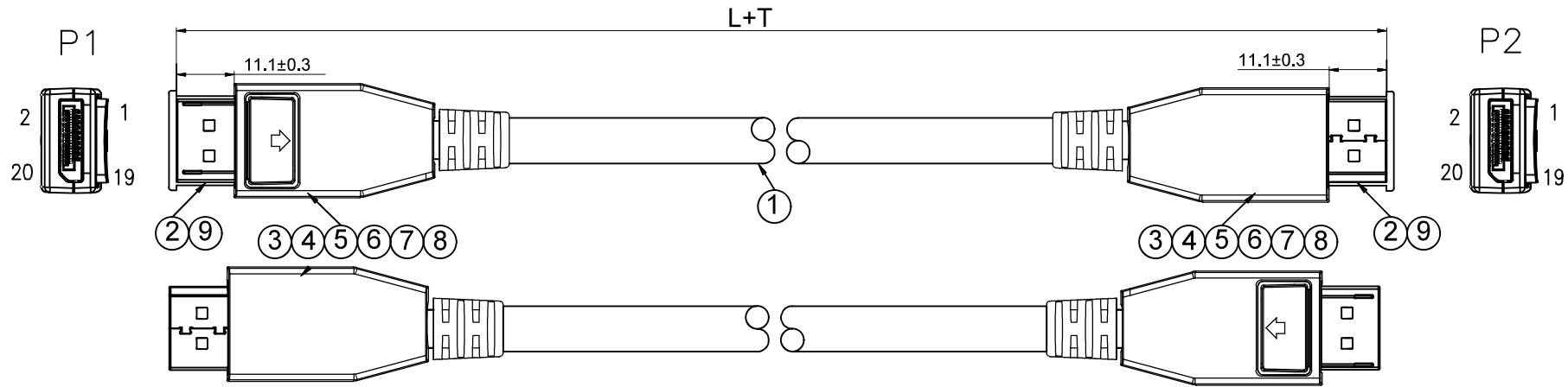
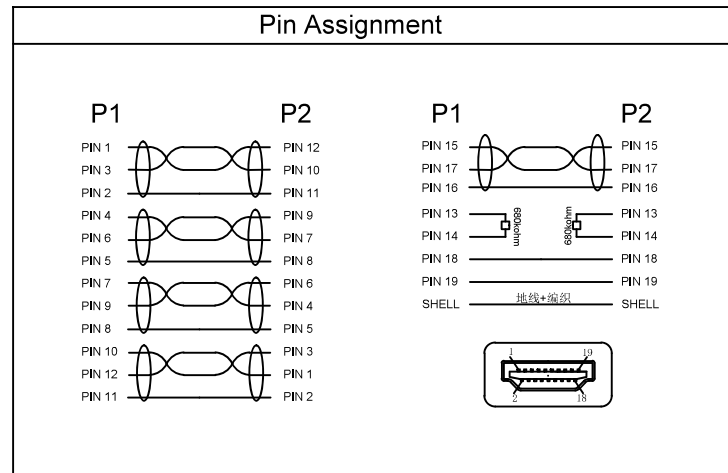


REV.	DESCRIPTION	DATE
A		2025-10-23
B		2025-12-15



Test standard:

- 100% OPEN/SHORT TEST
- CONDUCTIVE RESISTANCE : 5 OHMS MAX
- INSULATION RESISTANCE : 5M OHMS MIN
- HI-POT : 300V DC/0.1SEC
- THE PRODUCT IS ROHS COMPLIANT.
- Functional testing requirements: Support 4k@240hz 8k@120hz 10k@60hz Audio and video, without any defects such as snowflakes,glitter, or ghosting



PART NO.	LENGTH
11.44.6023	3000±30mm

Number	Material Name	SPECIFICATIONS	Usage	Remarks
1	Wire	26#, (1/0. 40B*2C+MID+AL+HM)*4P+(1/0. 32B*2C+D+AL+HM)*1P+1/0. 32B*2C+F+4D+AB BLACK TPE OD7.0	1PCS	
2	Connector	DP iron shell-gold plated-with hook-without PC board with resistor 680KΩ-tin plated	2PCS	
3	Wire Clip	Large DP bracket - 28 bare wires - 1.4 version manual wiring	2PCS	
4	Shield Shell	Large DP shielding iron shell - upper and lower covers - with convex points - nickel - plated (OD7.0 - 7.5)	2SET	
5	Copper Foil	Double-sided conductive copper foil W6*L35MM	2PCS	
6	Inner Mold Material	PE transparent material	A/R	
7	SR	Black TPE	A/R	
8	Outer Rubber Shell	Large DP outer rubber shell type B - upper and lower covers	2SET	
9	Dust Cap	DP dust cap, non-directional (environmentally friendly material)	2PCS	

ITEM NUMBER	DRAWER			Liang
TITLE	GREEN DP v2.0 Cable,M/M,10K/54G			CHECKED
MATERIAL	SCALE	APPROVED		
REV.	A	UNIT	mm	
DRAWING NO.				

SECOMP