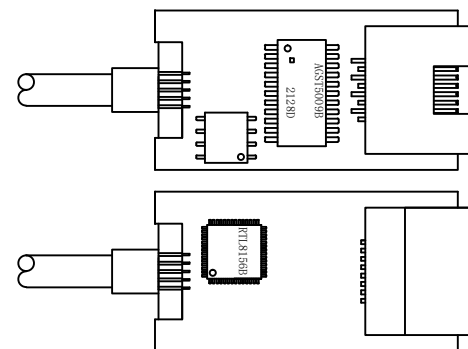
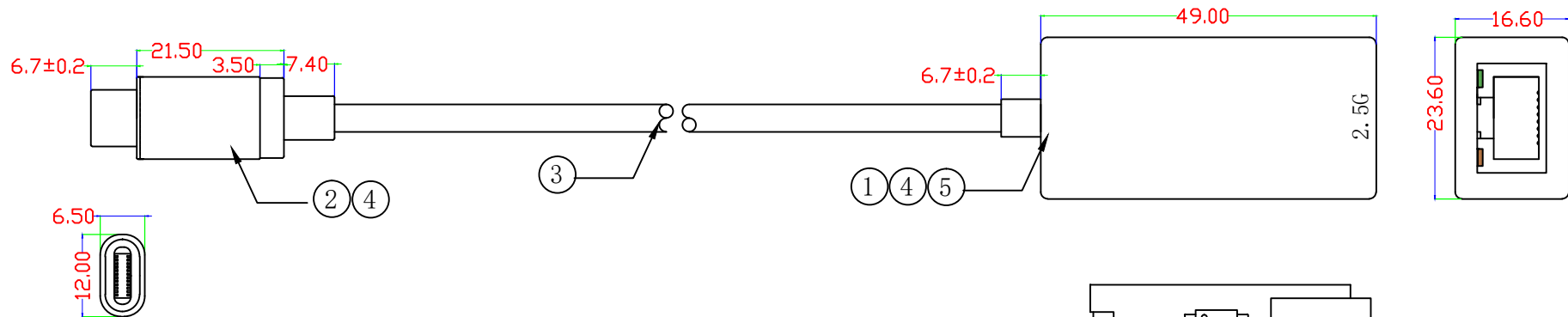


Drawn

Approval

Check



1	RJ45/F With LEDs	1SET
	RTL8156B PCBA Semi-product	
2	TYPE-C/M Nickel PLATED	1PCS
3	2P*32#+1P*30#+2C*24# PVC OD4.2 black	1PCS
4	PVC 45P black	1PCS
5	Aluminum BLACK	1PCS
6	POLY BAG 100*170MM	1PCS
NO.	Name of Material	Usage

Product :

VALUE USB C-RJ45 2.5G Ethernet Cable Adpater

ITEM NO:12.99.1134

SECOMP