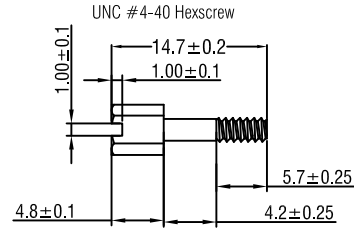
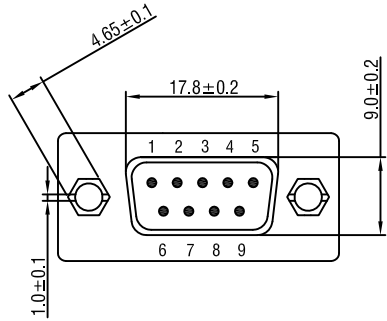
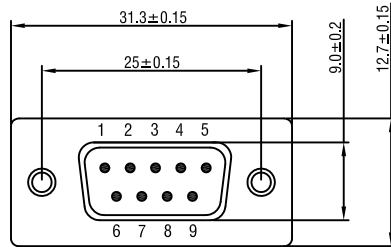
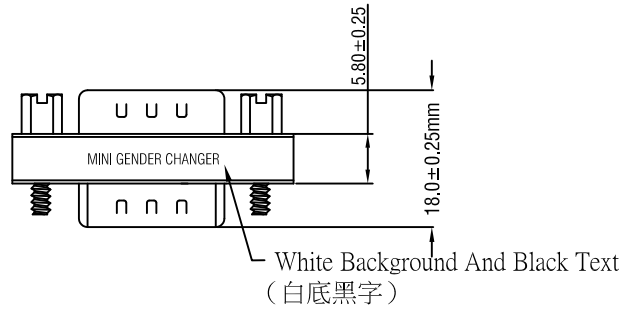
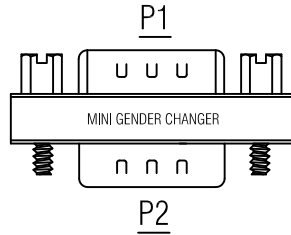


RoHS Compliant



WIRE ADDRESS

P1	P2
1	1
2	2
3	3
4	4
5	5
6	6
7	7
8	8
9	9
SHELL	SHELL



Electrical Test:

- 1.100% TEST OPEN SHORT MIS-WIRE.
- 2.CONTACT RESISTANCE:3Ω MAX.
- 3.INSULATION RESISTANCE:5MΩ MIN.
- 4.HI-POT:300V DC/10MS.

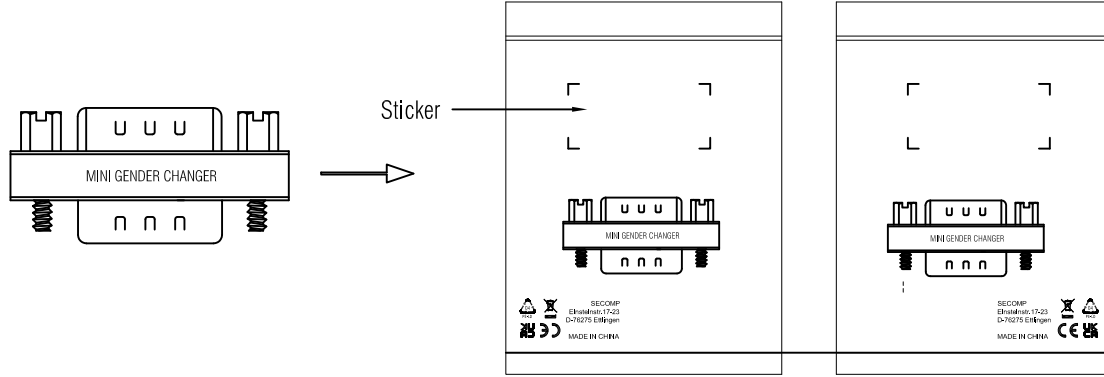
Mini Gender Changer, DB9 M/M

Item	12.99.2025	
Draw	Kobe	Date: 2022.09.02
Approval		
Duty	F16	BOM.NO:XXXX

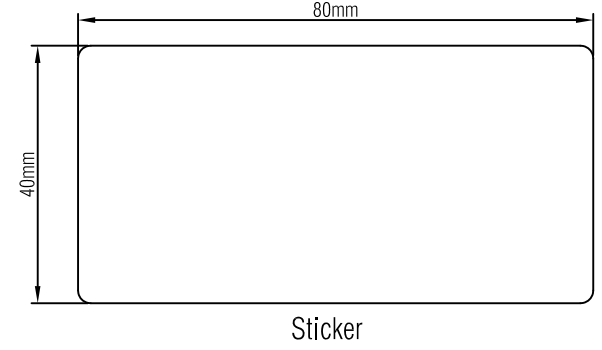


A	DB9M-DB9M Mini ADAPTER(Blue Insulator,Nickel Plated)	1	PCS
NUMBER	PRODUCT SPECIFICATIONS	Quantity	Unit

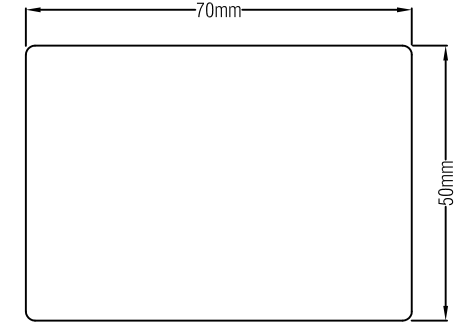
RoHS Compliant



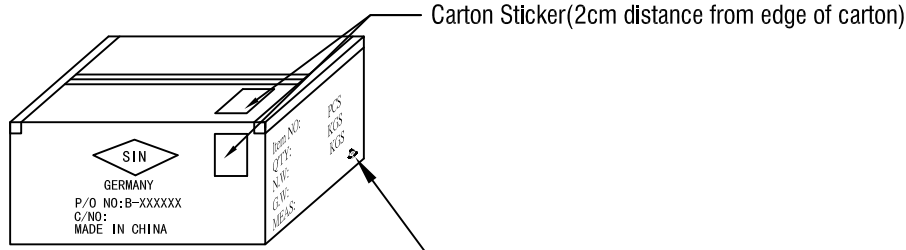
1PCS/PE BAG(0.06*100*200mm) + STICKER



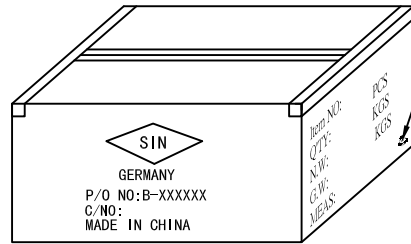
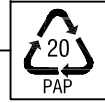
Sticker



Carton Sticker



BOX:
(200*132*145mm)
50PCS/CTN



Carton Size:
(420*280*160mm)
200PCS/CTN

Mini Gender Changer, DB9 M/M			SECOMP
Item	11.99.2025		
Draw	Kobe	Date: 2022.09.02	
Approval			
Duty	F16	BOM.NO:	
Sample NO.	RLA220809-1	Drawings of 2 (2)	Proportion: 1:1
		Unit(mm)	A4