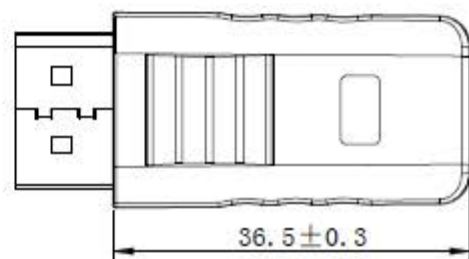
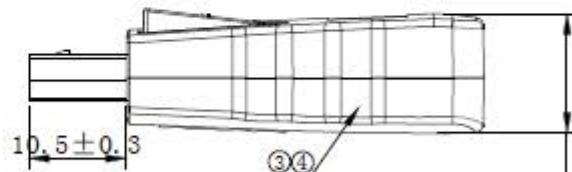
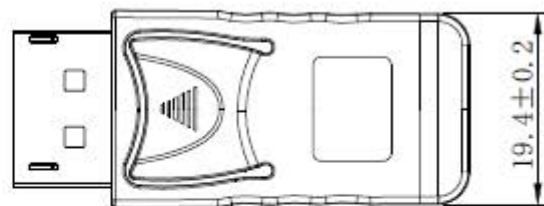
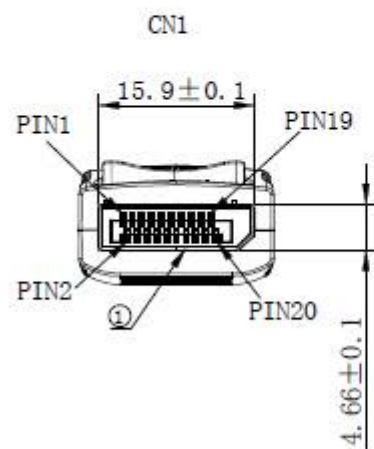
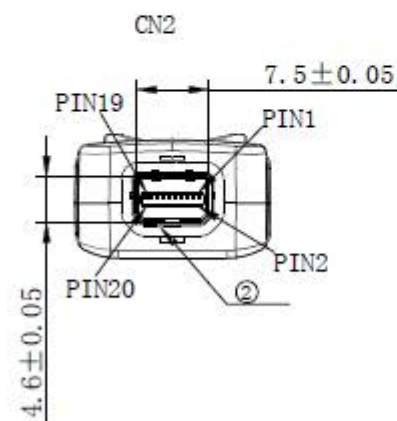


DisplayPort Male



Mini DisplayPort Female



PIN OUT

CN1	CN2	CN1	CN2
01	03	11	08
02	01	12	12
03	05	13	04
04	09	14	06
05	07	15	16
06	11	16	14
07	15	17	18
08	13	18	02
09	17	19	19
10	10	20	20
		SHELL	SHELL

NOTE:

- Electrical test:
 - 100% open short & miss wire test;
 - Insulation resistance:DC 300V 0.01s 10M ohm min;
 - Contact resistance:5 ohm max;
- Output:3840*2160P @60Hz
- ROHS 2.0 AND REACH COMPLIANT

MATERIAL LIST:

④	Housing	ABS Housing Black	1	
③	PCB	DP to Mini DP PCB	1	
②	Connector	Mini Display port Female,Black insulation The Pin Gold Plating, the Shell For Nickel plating	1	
①	Connector	Display port male,Black insulation The Pin Gold Plating, the Shell For Nickel plating	1	
NO.	PARTS NAME	SPECIFICATION STANDARD	QT' Y	REMARK

ITEM NO.	12.99.3160
Colour	black
VALUE DisplayPort (v1.2) Adapter, DP-Mini DP, M/F, 4K @60Hz	

unit	mm			
		NEW	2019-06-17	A
BY	CHK	REVISION RECORD MODIFICATIONS	DATE	REV.

SECOMP