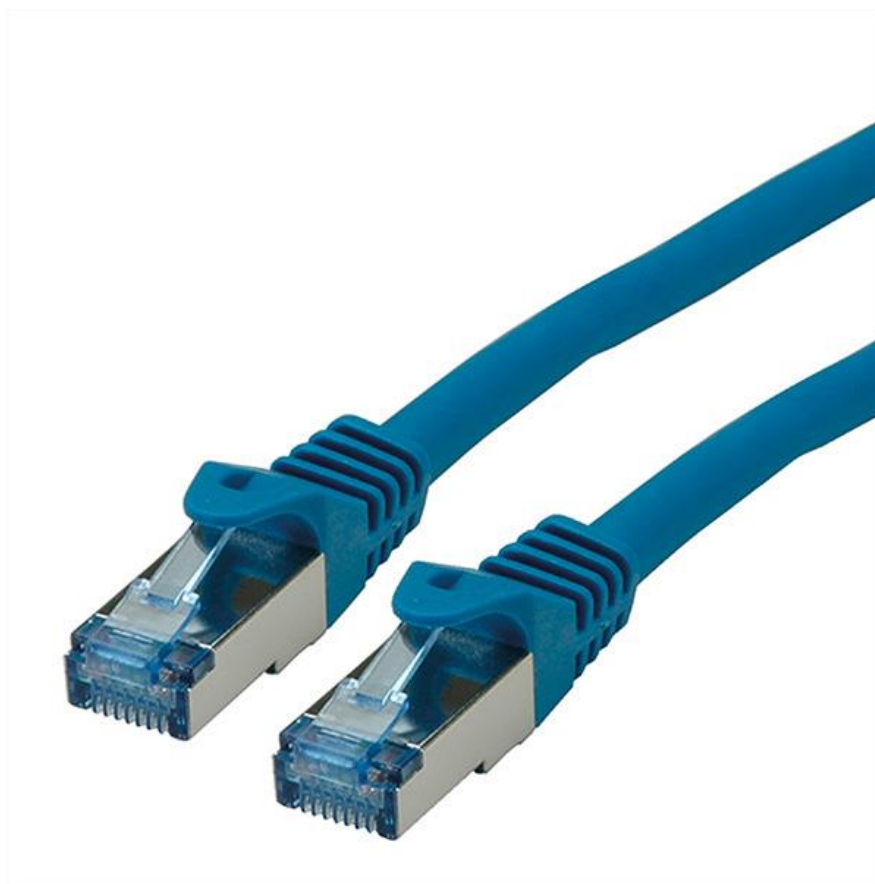




Datenblatt - Fiche technique - Data sheet

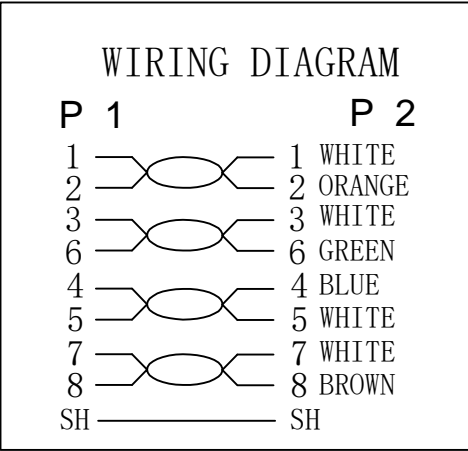
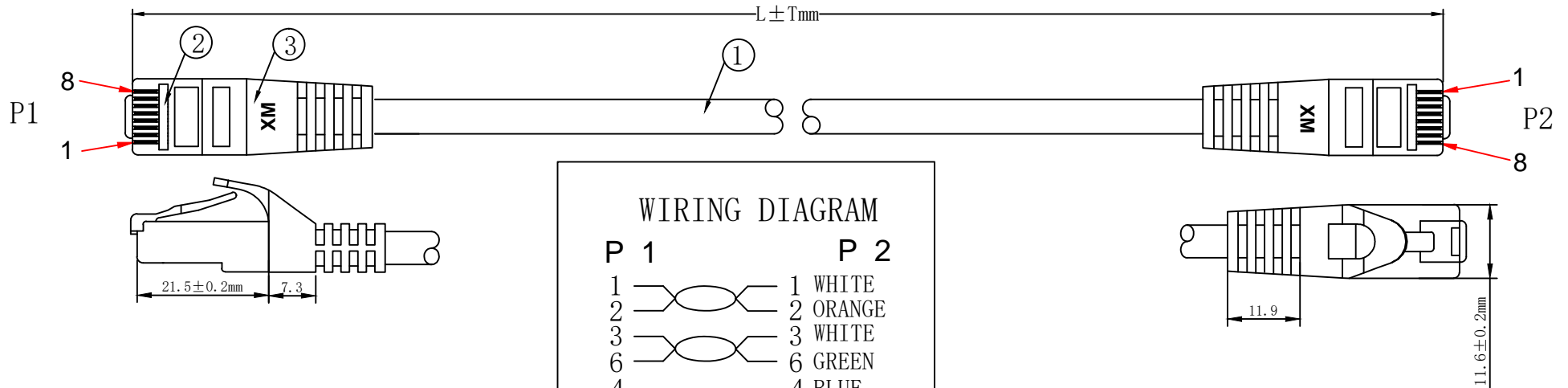
21.15.2844



ROLINE Patchkabel Kat.6A S/FTP (PiMF), Comp. Level, LSOH, blau, 1,5 m

Cordon ROLINE S/FTP(PiMF) Cat.6A / 10 Gigabit, LSOH, Component Level,
bleu, 1,5 m

ROLINE S/FTP Patch Cord Cat.6A, Component Level, LSOH, blue, 1.5 m



1. ELECTRICAL TEST:

- (1). 100% OPEN SHORT & MISS WIRE TEST;
- (2). INSULATION RESISTANCE: DC 250V 20M OHM MIN;
- (3). CONTACTOR RESISTANCE: 30 OHM MAX

2. PRINTING: GHMT® roline CAT. 6A S/FTP COMPONENT PATCH CORD LSZH 500MHZ ISO/IEC 11801 & EN 50173-1 & ANSI/TIA-568-C.2

3. 100% Component Patch cord Test PASS

4. Minimum bending radius: 60mm

MATERIAL LIST

| | | | | |
|-----|------------------|--|-------|--------|
| ⑥ | LABEL | NO DRY GLUE LABEL | 1PCS | |
| ⑤ | MINI TIE | PE MINI TIE (POSSESS METAL) | 2PCS | |
| ④ | POLYETHYLENE BAG | POLYETHYLENE BAG | 1PCS | |
| ③ | OVER MOLD | 88A PVC blue | 2PCS | |
| ② | CONNECTOR | RJ45 8P8C'S SHIELDED PIN GOLD PLATED 3u", SHELL PLATED NICKEL Transparent Blue | 2PCS | |
| ① | CABLE | S/FTP CAT. 6A 26AWG (BC*1P+AL-FOIL)*4P+BRAID CABLE JACKET LSOH OD=6.2±0.2MM | 1PCS | |
| NO. | PARTS NAME | SPECIFICATION STANDARD | QT' Y | REMARK |

| COLOUR: blue (PANTONE: 647C) | | | | | |
|------------------------------|--|---------------|--------------|--------------|--------------|
| ITEM NO. | LENGTH (L) | TOLERANCE (T) | | | |
| 21. 15. 2974 | 300mm | ± 10mm | | | |
| 21. 15. 2840 | 500mm | ± 15mm | | | |
| 21. 15. 2841 | 1000mm | ± 30mm | | | |
| 21. 15. 2844 | 1500mm | ± 45mm | | | |
| 21. 15. 2842 | 2000mm | ± 60mm | | | |
| 21. 15. 2843 | 3000mm | ± 90mm | | | |
| 21. 15. 2845 | 5000mm | ± 150mm | | | |
| 21. 15. 2846 | 7500mm | ± 210mm | | | |
| 21. 15. 2847 | 10000mm | ± 300mm | | | |
| 21. 15. 2848 | 15000mm | ± 450mm | | | |
| 21. 15. 2849 | 20000mm | ± 600mm | | | |
| ITEM NO. | 21. 15. 2974 | 21. 15. 2840 | 21. 15. 2841 | 21. 15. 2842 | 21. 15. 2843 |
| 21. 15. 2844 | 21. 15. 2845 | 21. 15. 2846 | 21. 15. 2847 | 21. 15. 2848 | 21. 15. 2849 |
| DESC. | ROLINE S/FTP PatchCord CAT. 6A, LSOH, Comp. Level1, blue | | | | |



| | | | | |
|-------------------------------|-----|-----|------------|------|
| BY | CHK | NEW | 2016-09-13 | A |
| REVISION RECORD MODIFICATIONS | | | DATE | REV. |