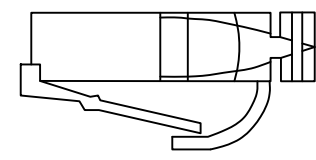
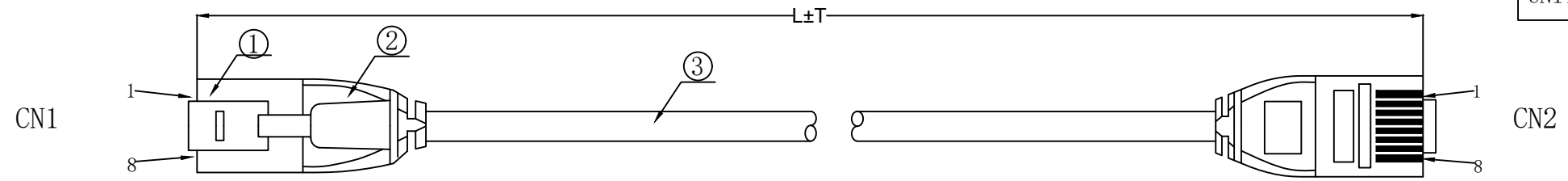
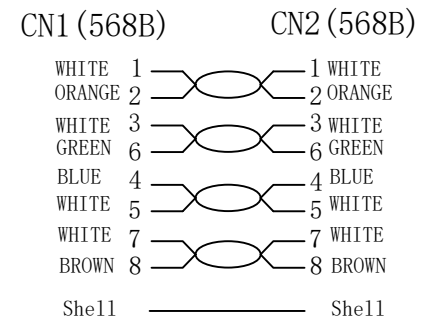


UNIT	MM
------	----



PIN OUT



NOTE:

1. Fluke Channel Test ISO 11801 channel Class Ea
2. RoHS 2.0 AND REACH compliant
3. Electrical test:100% open short & miss wire test;
4. Printing:CAT6A U/FTP 4x2x32AWG/7 LSZH ISO11801 & EN50173 & ANSI/TIA568C.2
5. OPERATING TEMPERATURE:-10°C ~ 60°C

MATERIAL LIST:

③	CABLE	CAT.6A U/FTP CABLE (32AWG BC*1P+AL-FOIL)*4+DRAIN+JACKET:LSZH Black (Panton3C) , OD:3.6±0.2mm	1	
②	Over mold	48P PVC Black (Panton3C)	2	
①	Plug	RJ45 8P8C Shielded Plug, PIN GOLD PLATED 3u", THE SHELL PLATED NICKEL, TRANSPARENT	2	

ITEM NO.	LENGTH
21.15.3350	150±10mm
21.15.3351	300±20mm
21.15.3352	500±30mm
21.15.3353	1000±30mm
21.15.3354	1500±50mm
21.15.3355	2000±50mm
21.15.3356	3000±70mm
21.15.3357	5000±70mm

DESC. ROLINE Cat. 6A U/FTP Data Center Patch Cord, LS0H, Slim, black

NO.	PARTS NAME	SPECIFICATION DESCRIPTION	QT' Y	REMARK
		NEW	2022-03-10	A
BY	CHK	REVISION RECORD MODIFICATIONS	DATE	REV.

