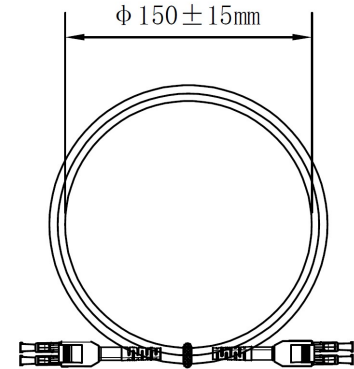


Note:

1. Polarity:Crossover A-B,B-A.
2. Grade Designation:Each to Reference
3. RoHS and REACH Compliant
4. OD: 2.0mm+0/-0.2mm
5. The out jacket is conform to IEC60332-1, EN60754-2, EN 61034-2
6. Min. Bending Radius:Static:20mm, Dynamic:40mm

Type	Single-Mode
Insertion Loss	≤0.30dB (IEC 61300-3-4)
Return Loss	UPC≥50dB (IEC 61300-3-6)
Test Wavelength	1310nm



MATERIAL LIST:

⑤	LC Dust Cap White	4pcs	
④	LC Uniboot Duplex Connector Blue	2set	
③	LC White Boot	2pcs	
②	LC SM Ferrule Ceramic	4pcs	
①	Fiber Optical Cable ϕ 2.0mm OS2 G657.A2 9/125um Yellow LSZH CPR Cca - sla,d0,al (one tube with 2 fiber)	L+0.1m	
NO.	SPECIFICATION STANDARD	QT' Y	REMARK

ITEM NO.	DESC.
21.15.8640	ROLINE Cable LC-LC, uniboot, OS2, 9/125 μ m, yellow, OD:2.0MM, 0.5m
21.15.8641	ROLINE Cable LC-LC, uniboot, OS2, 9/125 μ m, yellow, OD:2.0MM, 1m
21.15.8642	ROLINE Cable LC-LC, uniboot, OS2, 9/125 μ m, yellow, OD:2.0MM, 2m
21.15.8643	ROLINE Cable LC-LC, uniboot, OS2, 9/125 μ m, yellow, OD:2.0MM, 3m
21.15.8644	ROLINE Cable LC-LC, uniboot, OS2, 9/125 μ m, yellow, OD:2.0MM, 5m
21.15.8645	ROLINE Cable LC-LC, uniboot, OS2, 9/125 μ m, yellow, OD:2.0MM, 7m
21.15.8646	ROLINE Cable LC-LC, uniboot, OS2, 9/125 μ m, yellow, OD:2.0MM, 10m
21.15.8647	ROLINE Cable LC-LC, uniboot, OS2, 9/125 μ m, yellow, OD:2.0MM, 15m
21.15.8648	ROLINE Cable LC-LC, uniboot, OS2, 9/125 μ m, yellow, OD:2.0MM, 20m



ROLINE Cable LC-LC, uniboot, OS2, 9/125 μ m, yellow, OD:2.0MM, 1m

		NEW	2024-06-24	A0
BY	CHK	REVISION RECORD MODIFICATIONS	DATE	REV.