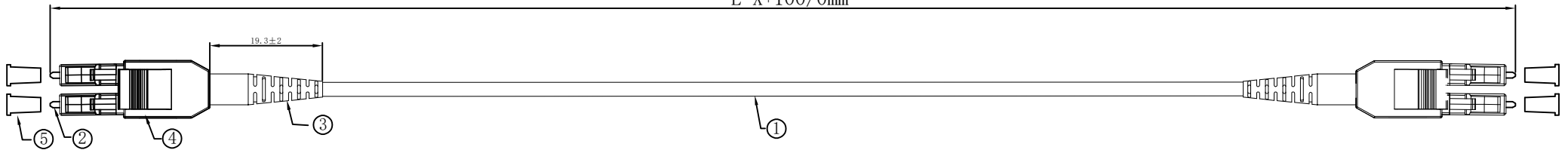


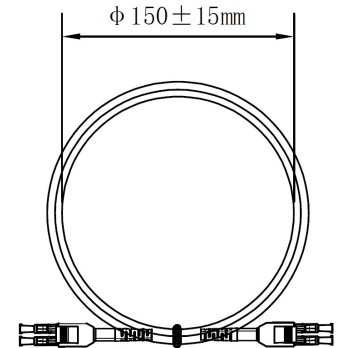
$L=X+100/0\text{mm}$



Note:

1. Polarity: Crossover A-B, B-A.
2. Grade Designation: Each to Reference
3. RoHS and REACH Compliant
4. OD: 2.0mm+0/-0.2mm
5. The out jacket is conform to IEC60332-1, EN60754-2, EN 61034-2
6. Min. Bending Radius: Static: 20mm, Dynamic: 40mm

Type	Multi-Mode
Insertion Loss	$\leq 0.3\text{dB}$ (IEC 61300-3-4)
Return Loss	$\text{UPC} \geq 30\text{dB}$ (IEC 61300-3-6)
Test Wavelength	850nm



MATERIAL LIST:

⑤	LC Dust Cap White	4pcs	
④	LC Uniboot Duplex Connector Erika violet	2set	
③	LC White Boot	2pcs	
②	LC MM Ferrule Ceramic	4pcs	
①	Fiber Optical Cable OD: 2.0mm+0/-0.2mm OM4 50/125um Erika violet (RAL4003) LSZH CPR Cca(sla,d0,a1) (one tube with 2 fiber)	L+0.1m	
NO.	SPECIFICATION STANDARD	QT' Y	REMARK

ITEM NO.	DESC.
21.15.8650	ROLINE Cable LC-LC, uniboot, OM4, 50/125 μm, Erika violet, OD: 2.0MM 0.5m
21.15.8651	ROLINE Cable LC-LC, uniboot, OM4, 50/125 μm, Erika violet, OD: 2.0MM 1m
21.15.8652	ROLINE Cable LC-LC, uniboot, OM4, 50/125 μm, Erika violet, OD: 2.0MM 2m
21.15.8653	ROLINE Cable LC-LC, uniboot, OM4, 50/125 μm, Erika violet, OD: 2.0MM 3m
21.15.8654	ROLINE Cable LC-LC, uniboot, OM4, 50/125 μm, Erika violet, OD: 2.0MM 5m
21.15.8655	ROLINE Cable LC-LC, uniboot, OM4, 50/125 μm, Erika violet, OD: 2.0MM 7m
21.15.8656	ROLINE Cable LC-LC, uniboot, OM4, 50/125 μm, Erika violet, OD: 2.0MM 10m
21.15.8657	ROLINE Cable LC-LC, uniboot, OM4, 50/125 μm, Erika violet, OD: 2.0MM 15m
21.15.8658	ROLINE Cable LC-LC, uniboot, OM4, 50/125 μm, Erika violet, OD: 2.0MM 20m

**SECOMP**

		NEW	2024-06-24	A0
BY	CHK	REVISION RECORD MODIFICATIONS	DATE	REV.