

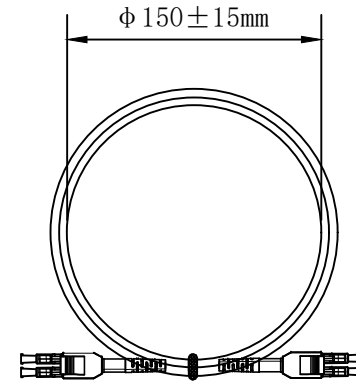
Note:

1. Polarity: Crossover A-B, B-A.
2. Grade Designation: Each to Reference
3. ROHS 2.0 and REACH Compliant
4. OD: 3.0mm+0/-0.2mm
5. The out jacket is conform to IEC60332-1, EN60754-2, EN 61034-2
6. Min. Bending Radius: Static: 30mm, Dynamic: 60mm

Type	Single-Mode
Insertion Loss	≤0.3dB
Return Loss	≥50dB
Test Wavelength	1310nm

MATERIAL LIST:

⑥	Heat Shrink Tube White	2pcs	
⑤	LC Dust Cap White	4pcs	
④	LC Uniboot Connector Blue	4pcs	
③	LC Uniboot White Boot	2pcs	
②	LC SM Ferrule Ceramic	4pcs	
①	Fiber Optical Cable ϕ 3.0mm OS2 G657.A2 9/125um Yellow LSZH (one tube with 2 fiber)	L+0.1m	
NO.	SPECIFICATION STANDARD	QT' Y	REMARK
Fan	Add Min. Bending Radius	2022-1-24	A1
Fan	NEW	2021-07-09	AO
BY	CHK REVISION RECORD MODIFICATIONS	DATE	REV.



ITEM NO.	DESC.
21. 15. 8780	ROLINE Cable LC-LC, uniboot, OS2, 9/125um, yellow, OD:3.0MM, 0.5m
21. 15. 8781	ROLINE Cable LC-LC, uniboot, OS2, 9/125um, yellow, OD:3.0MM, 1m
21. 15. 8782	ROLINE Cable LC-LC, uniboot, OS2, 9/125um, yellow, OD:3.0MM, 2m
21. 15. 8783	ROLINE Cable LC-LC, uniboot, OS2, 9/125um, yellow, OD:3.0MM, 3m
21. 15. 8785	ROLINE Cable LC-LC, uniboot, OS2, 9/125um, yellow, OD:3.0MM, 5m
21. 15. 8784	ROLINE Cable LC-LC, uniboot, OS2, 9/125um, yellow, OD:3.0MM, 7m
21. 15. 8789	ROLINE Cable LC-LC, uniboot, OS2, 9/125um, yellow, OD:3.0MM, 10m
21. 15. 8786	ROLINE Cable LC-LC, uniboot, OS2, 9/125um, yellow, OD:3.0MM, 15m
21. 15. 8787	ROLINE Cable LC-LC, uniboot, OS2, 9/125um, yellow, OD:3.0MM, 20m

SECOMP