

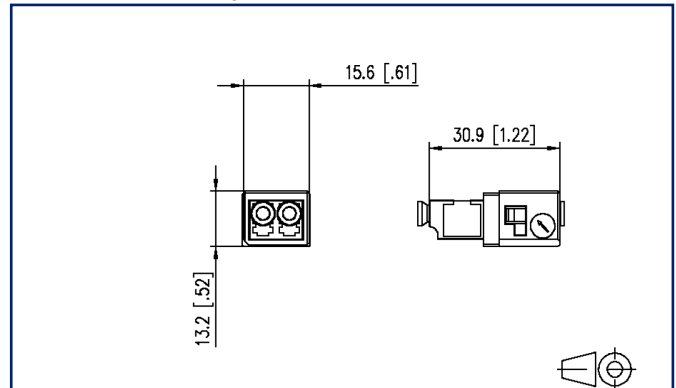
Data sheet

OpDAT Industry LC-D SM adapter insert

Illustrations



Dimensional drawing



See enlarged drawings at the end of document

Product specification

- LC-D adapter
- slotted ceramics sleeve for single mode applications
- slotted metal sleeve (Ph-Br) for multi mode applications
- conformity with relevant IEC framework specifications with regard to testing conditions and connector compatibility to connector version LC to IEC 61754-20
- compliance with EN 50173-1 or ISO/IEC 24702 with regard to the limits for insertion loss
- flame-retardant and halogen-free plastic housing
- flame-retardant and halogen-free dust cover
- in flange or wall outlet of var. 1 and 4 - suitable for integration
- variant 14 only available in sets
- service life: min. 500 plug-in cycles
- operating temperature -40 °C to +70 °C
- variants: blue (SM), beige (MM)

Technical Data

General Data

Mechanical measurement according to MICE	M1
Ingress measurement according to MICE	I1
Climatic measurement according to MICE	C1
Electromagnetic measurement according to MICE	E3
Design	coupler / adapter (FO)
Transmission technology	Fiber optic
Color	blue
Dimensions	
Dimension (L x W x H)	30.9 mm x 15.6 mm x 13.2 mm
Dimension (L x W x H)	1.217 in. x 0.614 in. x 0.52 in.
Mode type of the fiber	Singlemode
Labeling option	on housing

Connections/interfaces

Connector technology interface 1	LC-D
Connector technology interface 2	LC-D
Number of ports interface 1	1
Number of ports interface 2	1
Number of equipped ports interface 1	1
Number of ports interface 2 equipped	1
Number of ports with dust protection interface 1	1
Number of ports with dust protection interface 2	1

Mechanical data

Cut-out	SC, LC-D, E2000
Connector type	duplex
Life - Number of mating cycles	min. 1000
Position/mounting of latch standard installation position	top



P | Cabling

Data sheet

Page 3/5

OpDAT Industry LC-D SM adapter insert

P/N

1402L00820MI

EAN 4250184115908

2023/04/05

Version: U

Technical Data

Materials and material properties

Material - Housing	Plastics
Material - Sleeve	ceramic, slotted
Material - Dust protection	flame retardant and halogen free
Halogen free	yes
RoHS	compliant

Environmental conditions

Temperature (min. - max.)	
Temperature - Storage °C	-40 °C - 70 °C
Temperature - Storage °F	-40 °F - 158 °F
Temperature - Operating °C	-40 °C - 70 °C
Temperature - Operating °F	-40 °F - 158 °F

Standards/Regulations

Generic cabling systems	
Industrial area	ISO/IEC 24702 AMD 1 DIN EN 50173-3 ANSI/TIA-1005

Classifications

ETIM 5.0	EC000752
ETIM 6.0	EC000752
ETIM 7.0	EC000752
ETIM 8.0	EC000752
ETIM 9.0	EC000752

Packing details

Type of packaging	10 pc(s) / box
Packaging unit - Weight (gram)	91 g
Packaging unit - Weight (pound)	0.2 lb
Packaging dimension	89 mm x 250 mm x 105 mm
Packaging dimension	3.504 in. x 9.843 in. x 4.134 in.



Accessories from

P/N	Designation
1401010110ME	E-DAT Industry IP67 V1 1 port metal outlet
1401010220ME	E-DAT Industry IP67 V1 2 port metal outlet
1401010620ME	E-DAT Industry IP67 V1 2 port metal surface mount housing
1401013300ME	Industry IP67 V1 metal bulkhead
1401013300ME-F5	Industry IP67 V1 metal bulkhead
1401013302KE	Industry IP67 V1 bulkhead
1401040110ME	E-DAT Industry IP67 V4 1 port metal outlet
1401040220ME	E-DAT Industry IP67 V4 2 port metal outlet
1401040620ME	E-DAT Industry IP67 V4 2 port metal surface mount housing
1401043302KE	Industry IP67 V4 bulkhead
14040000-E	MCO IP69k protective housing for outdoor use, set for exposed installation
14040010-E	MCO IP69k Protective housing for outdoor use, set with mounting bracket
14040100-E	MCO IP69k Protective housing for outdoor use, set wall/ housing bushing
140UPB-E	E-DAT Industry universal test jack IP65, unequipped

P | Cabling

Data sheet

OpDAT Industry LC-D SM adapter insert

Page 5/5

P/N

1402L00820MI

EAN 4250184115908

2023/04/05

Version: U

Illustrations

Dimensional drawing

