

VIVOTEK Fixed Dome & PTZ Series **Mounting Cap**

Installation Guide

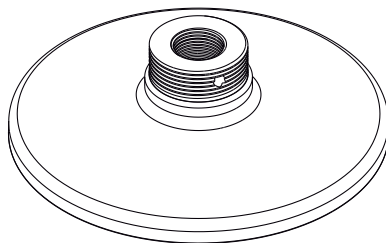
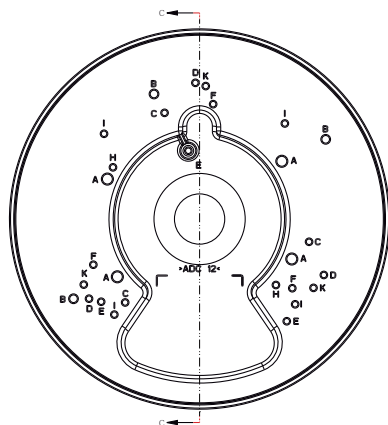
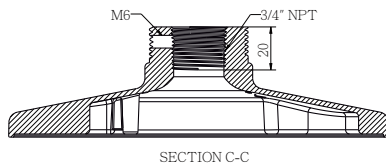
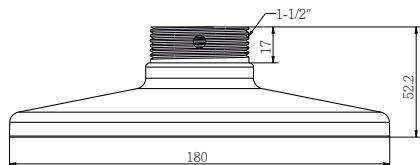
Using AM-520 mounting cap
and compatible accessories

Rev. 1.2

Revision History:

- * Rev. 1.0: Initial Release
- * Rev. 1.1: Added supported models
- * Rev. 1.2: Threads have been added to the exterior for mount poles. Added FE8181 series to the list of supported models.

AM-520 Mounting Cap Mechanical Drawings



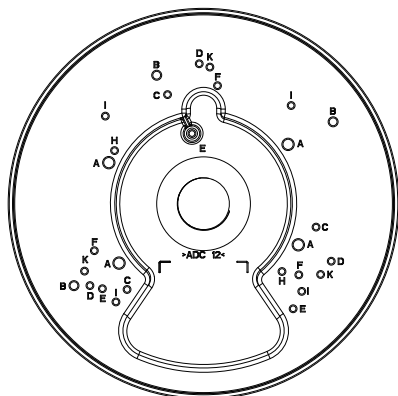
I Compatible VIVOTEK Cameras

| | |
|-------------------|---|
| Fixed Dome series | FD8361 / FD8361L / FD8362 /FD8362E / FD8363 / FD8335H/ FD8372 / FD8162 / FD8135H / FD8163 / FD8131V / FD8133V/ FD8134V / FE8172V / FE8171V / FE8174/ FE8174V / FE8181 / FE8181V / MD7530 / MD7560 / MD8562 / FD8164 / FD8137H / FD8131 / FD8133 / FD8134 / FE8172 / F8173 / FD8164V / FD8137HV |
|-------------------|---|

You may also refer to VIVOTEK's website for the list of supported models. Support for other models can be available through time.

II Installation

Mounting Hole Definitions










Above are the locations of different groups of mounting holes for matching different cameras:

| Hole Type | Applicable Cameras | Screw | No. of screws | Screw pack |
|-----------|--|-------------------|---------------|------------|
| A | FD8361 / FD8361L / FD8362 / FD8362E / FD8363 / FD8335H/ FD8372 | M5X10 round head | 4 | A |
| B | FD8162 / FD8135H / FD8163 / FE8181 / FE8181V | M4X12 round head | 3 | B |
| C | FD8131V / FD8133V/ FD8134V | M3X6 round head | 3 | C/E/F/K |
| D | FE8171V / FE8172V / FE8174V | M3X8 binding head | 3 | D |
| E | MD7530 / MD7560 / MD8562 | M3X6 round head | 3 | C/E/F/K |
| F | FD8164 / FD8137H | M3X6 round head | 3 | C/E/F/K |
| H | FD8131 / FD8133 / FD8134 | M3X6 round head | 2 | H |
| I | FE8172 / FE8173 / FE8174 | M3X8 binding head | 4 | I |
| K | FD8164V / FD8137HV | M3X6 round head | 3 | C/E/F/K |

For cabling and configuration details with each network camera, please refer to their documentation.

Refer to the table below for the description of the included screws:

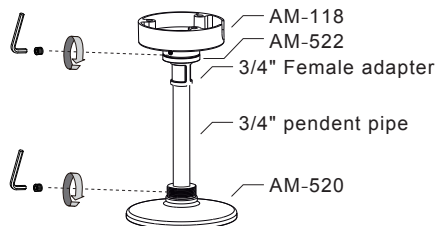
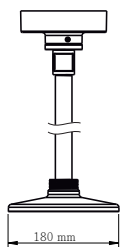
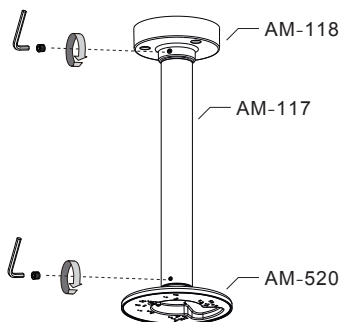
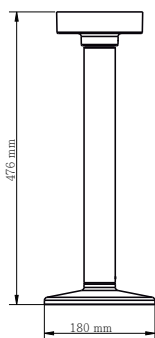
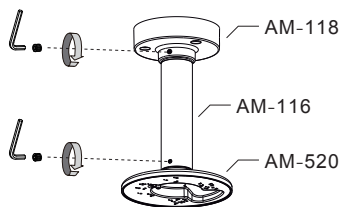
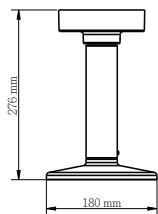
| Screw Description | No. of screws | Material char. |
|---------------------------------|---------------|---|
| M5X10 (A) | 4 |  |
| M4X12 (B) | 3 |  |
| M3X6 (C/E/F/K) | 3 |  |
| M3X8 (D) | 3 |  |
| M3X6 (H) | 2 |  |
| M3X8 (I) | 4 |  |
| Hex wrench and hex socket screw | 1 |  |



NOTE:

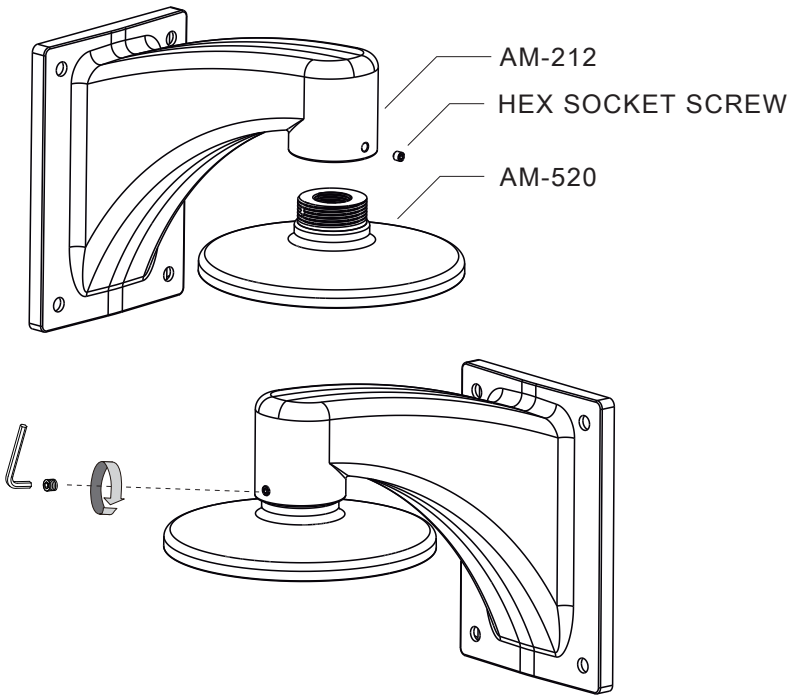
1. Route cables before you secure the accessories to a wall.
2. For details on the cable connections with each camera, please refer to their Quick Installation Guide.

Configuration - Pendant Pipe

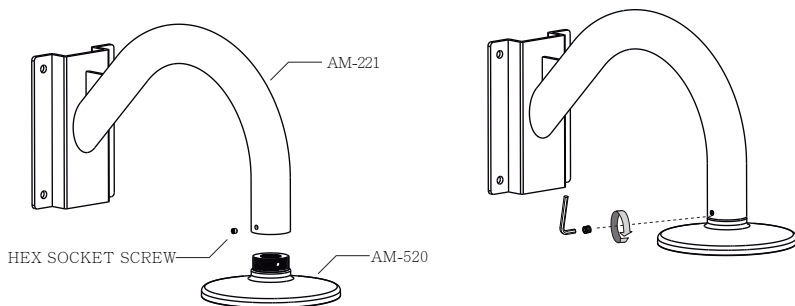


Note: The 3/4" female adapter is separately purchased.

Configuration - Wall Mount

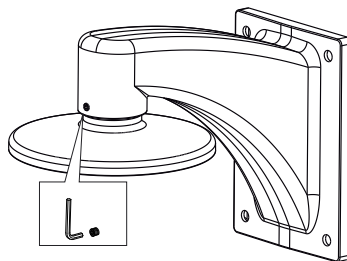


Configuration - Gooseneck



NOTE:

When installing the mounting cap, take note that the orientation of the mounting cap can affect the camera's shooting direction. You may need to remove the mounting cap, rotate, and re-install it for the best orientation. Use the hex wrench to tighten its retention hex socket screw when done.



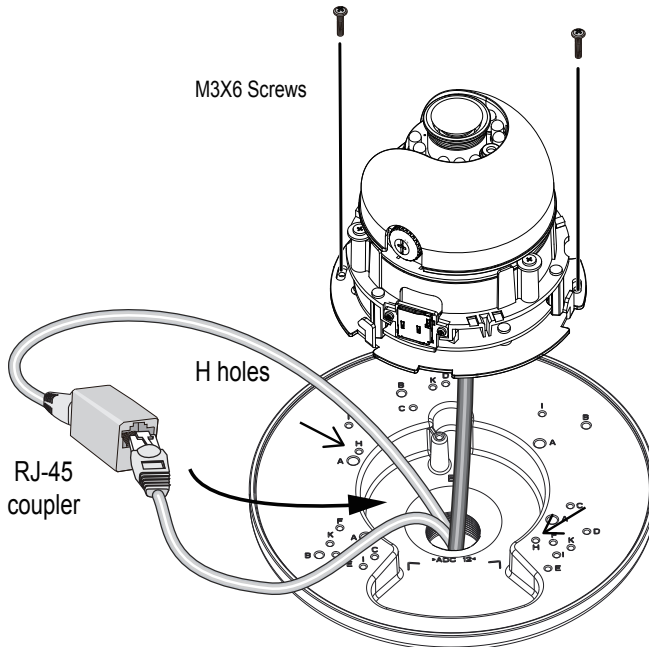
Installing Camera to Mounting Cap

Refer to the matching table on page 4 for the mounting hole information for your camera.

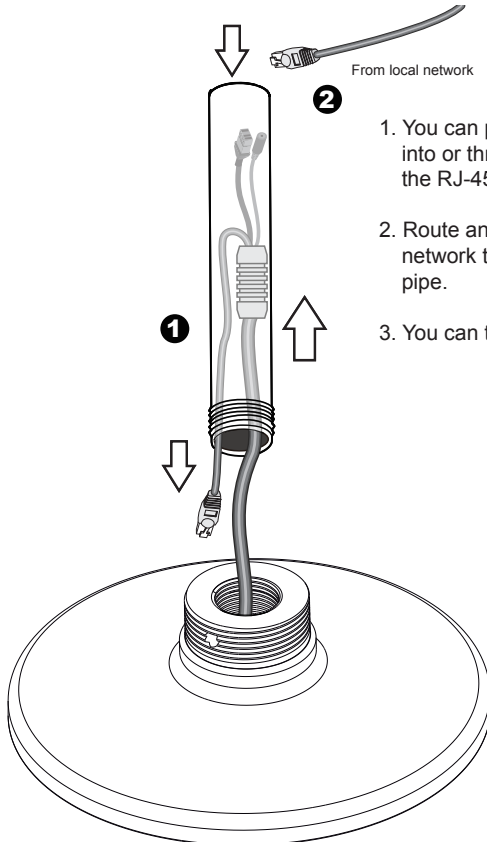
1. You should route cables through other accessories before you install cameras to the mounting cap.
2. Route power lines and other cables through the mounting cap.
3. Orient and install the camera to the mounting cap.
4. Connect cables to the camera.
5. Install the mounting cap to other accessories, e.g., wall-mount bracket.
6. Proceed with initial setup such as enabling network access, focus tuning, or zooming.
When done, secure the outer dome cover.

Some installation samples are shown below:

FD8134



Note that for cameras that come with cable glands, e.g., FD8134 and FD8134V, it can be tricky passing them through a 3/4" pendant pipe.



From local network

2

1. You can pass the cable gland and other wires into or through the pendant pipe, while leaving the RJ-45 connector behind.

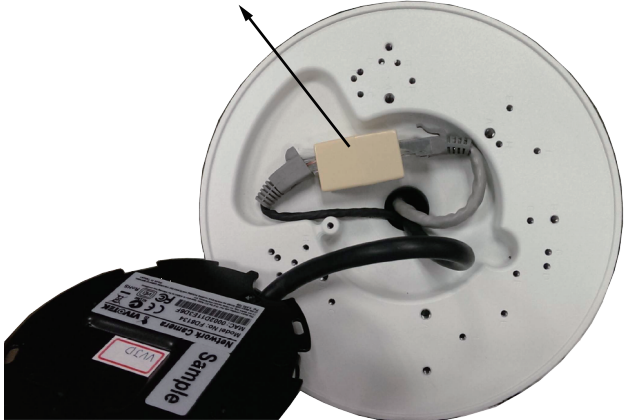
2. Route another Ethernet cable from the local network through the other end of the pendant pipe.

3. You can then install the pendant pipe.

1

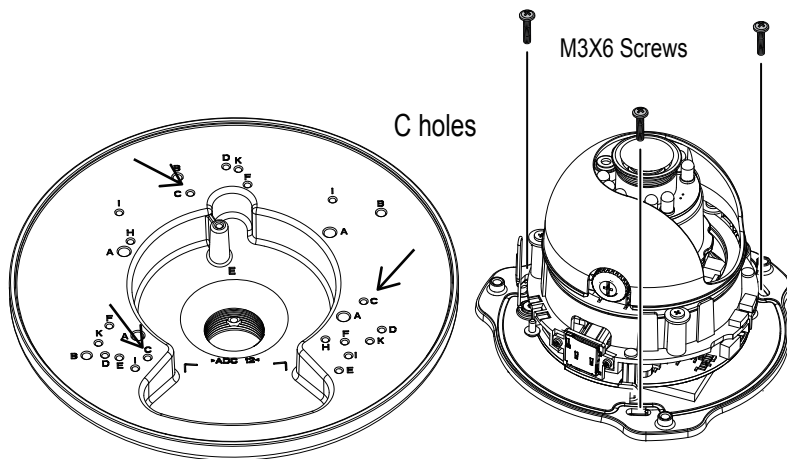
You can then connect the RJ-45 from the camera with that from the local network using an RJ-45 coupler. When done, press the coupler and the cables into the recess of the bracket.

RJ-45 coupler

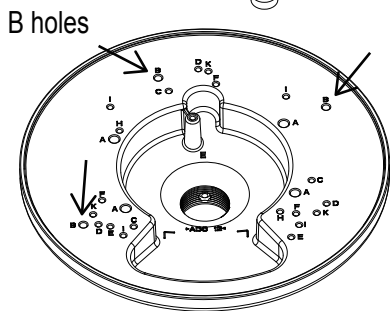
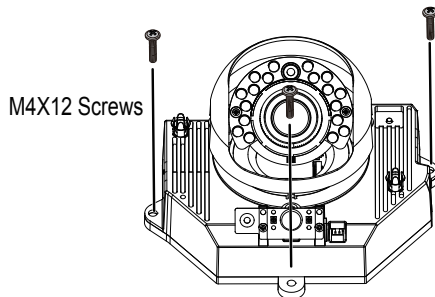


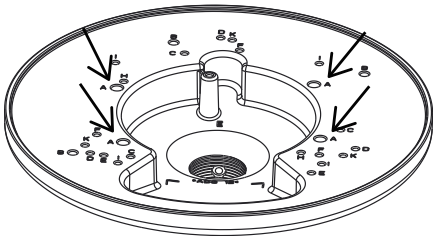
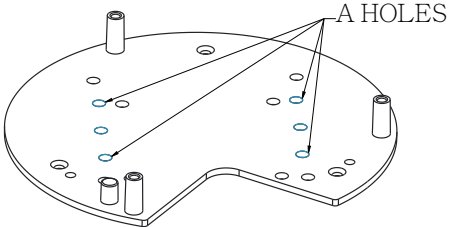
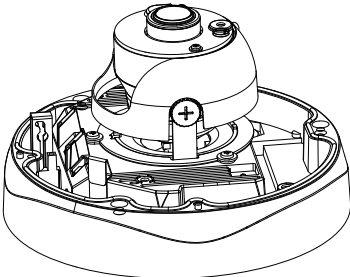
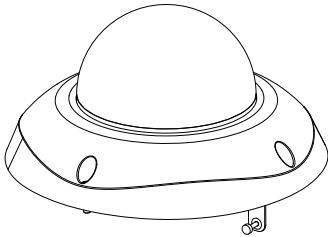
Align and install the camera to the bracket.

FD8134V

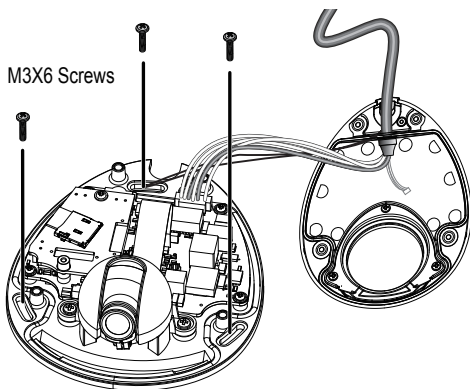


FD8135H

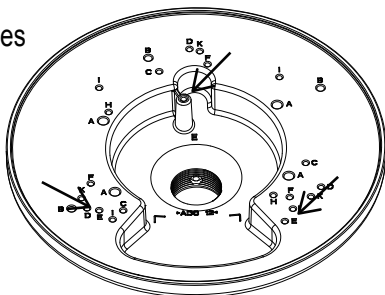




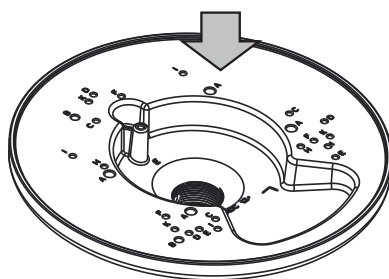
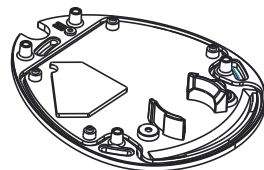
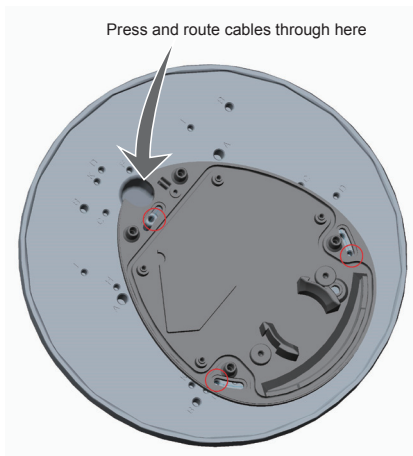
MD8562



E holes

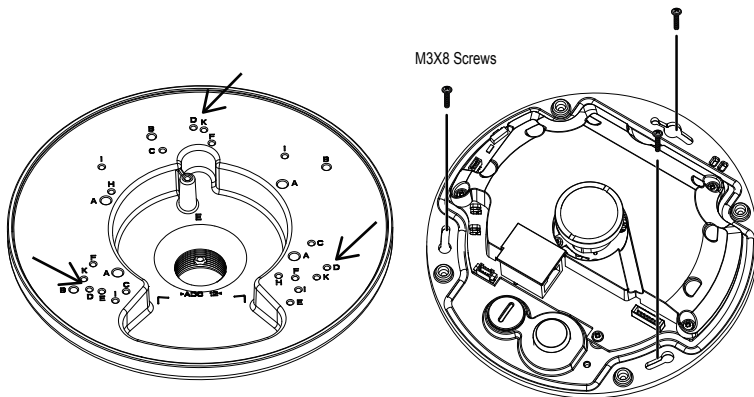


Press and route cables through here



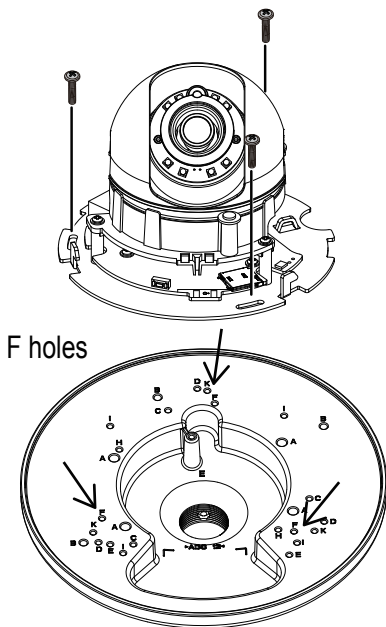
FE8172V / FE8174V

For details routing and preparing for waterproof cabling, please refer to the camera's Quick Installation Guide.



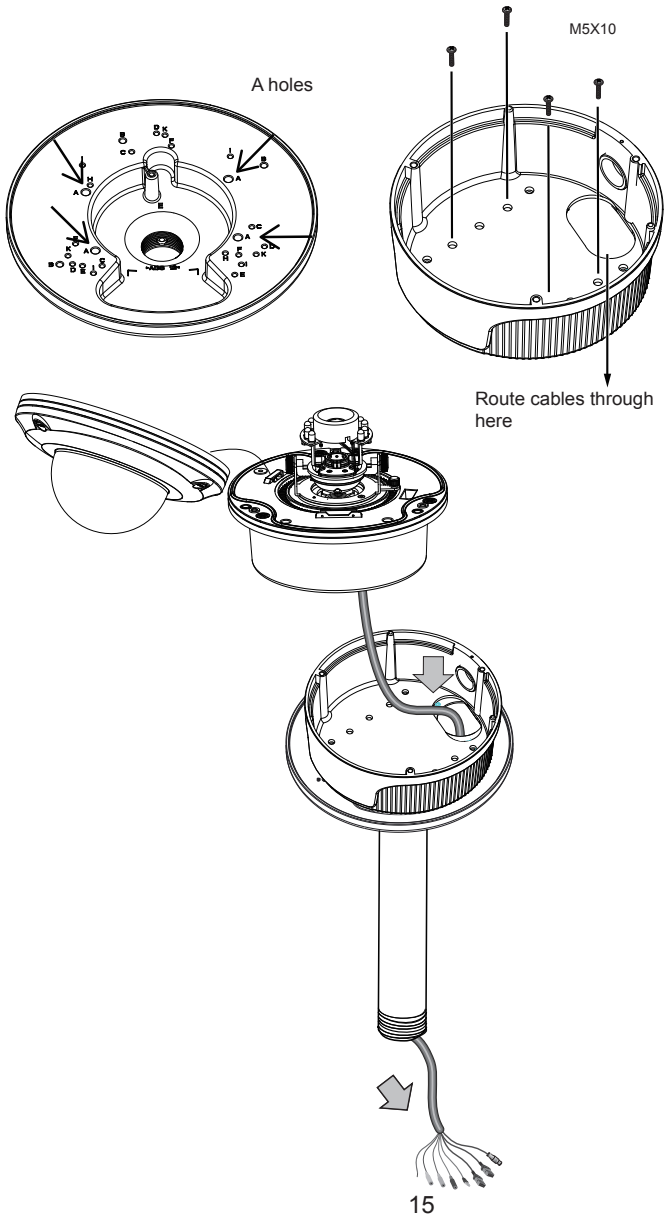
D holes

FD8164 / FD8137H



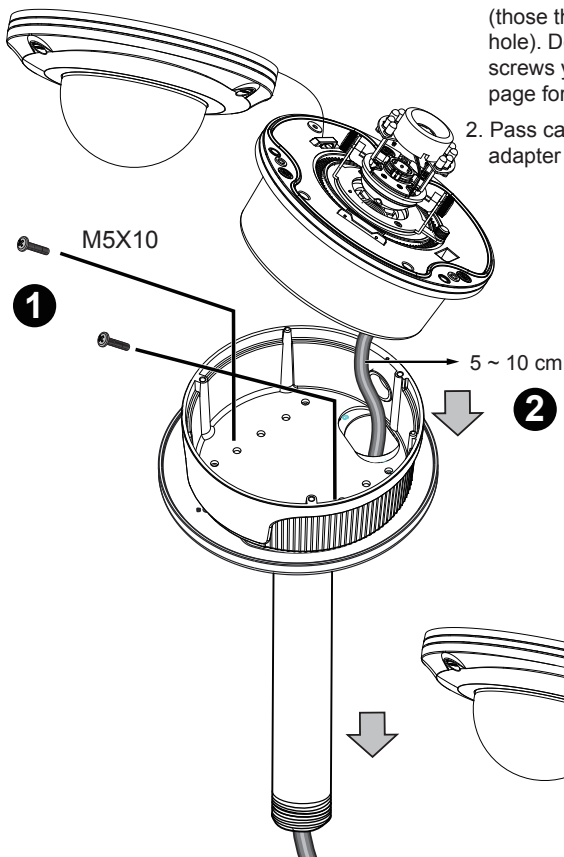
F holes

FD8361L

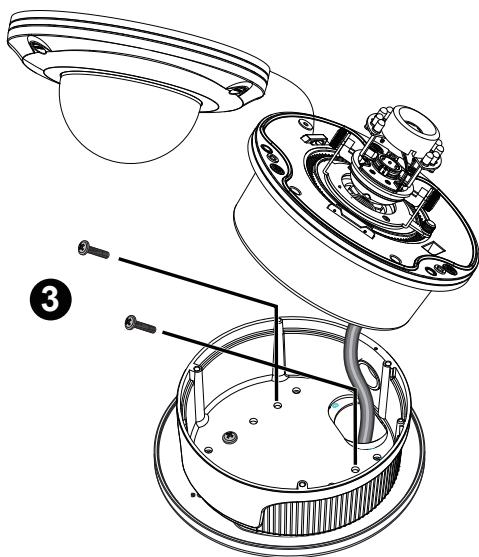


FD8361

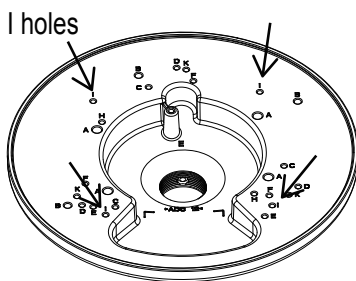
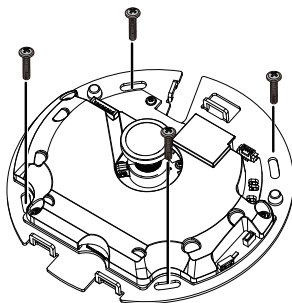
1. Secure 2 of the mounting screws (those that are away from the routing hole). Do not completely tighten the screws yet. Refer to the previous page for mounting hole positions.
2. Pass cable assembly through the adapter and the 3/4" pipe.



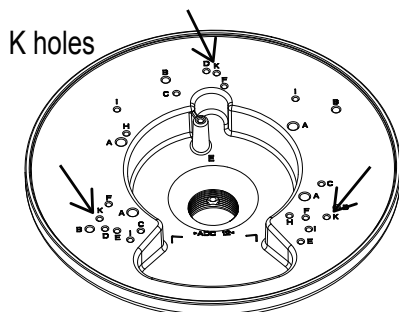
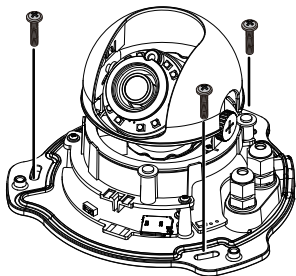
3. Install another 2 screws to the positions close to the routing hole.



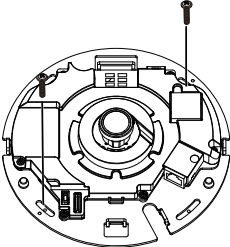
FE8172 / FE8173 / FE8174



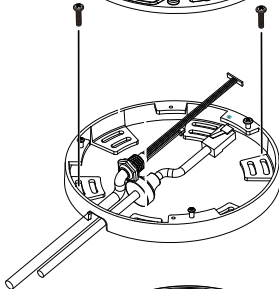
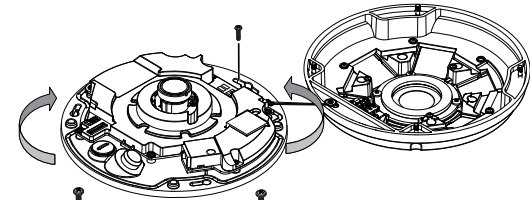
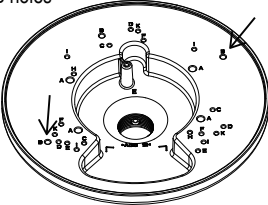
FD8164V / FD8137HV



FE8181 / FE8181V



B holes



B holes

