

### Installation Guide

Revision History:  
Rev. 1.0: Initial release

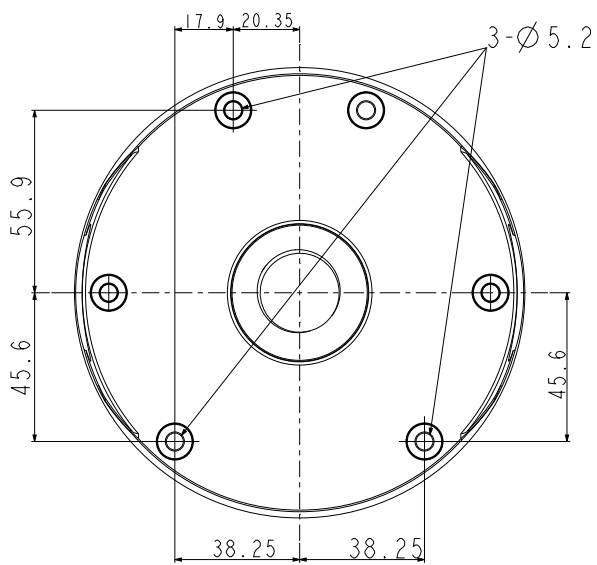
Part no.: 625055000G  
Accessory Ordering part no.: 100220400G

#### Compatible VIVOTEK Cameras

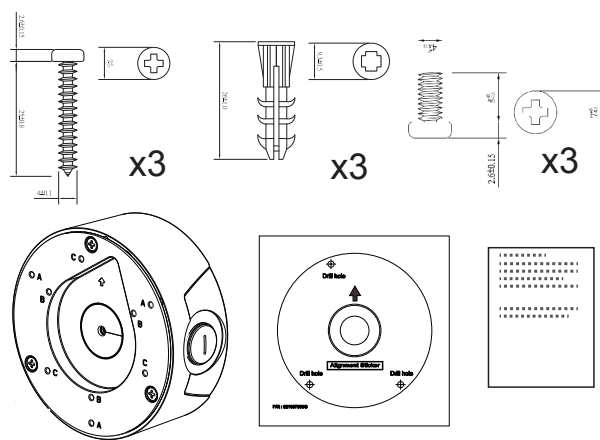
##### Compatible cameras/brackets

A: FD9389 series, FD9368-HT, FD9388-HT  
B: IT9388-HT  
C: FD9360-H, FD9380-H

#### Mounting Dimensions

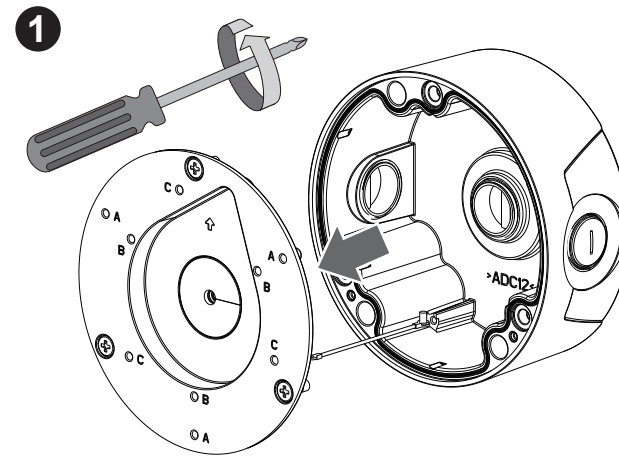


#### Package Contents

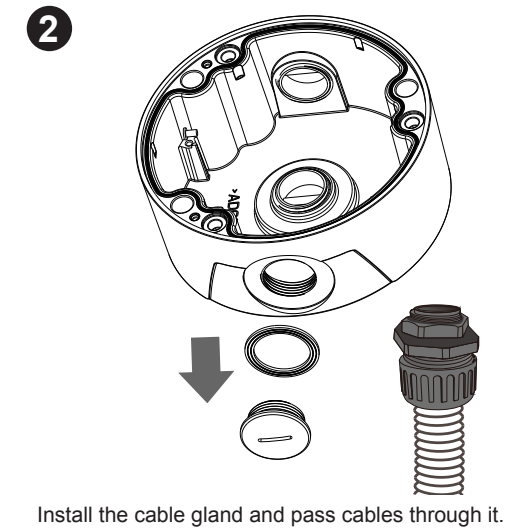


#### Installation

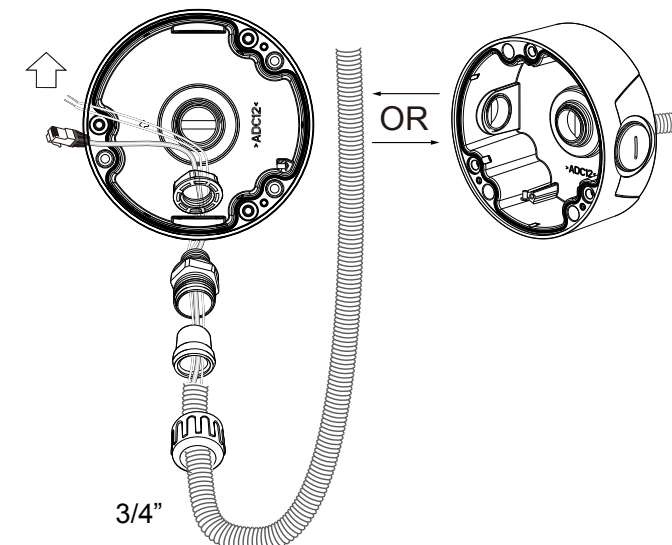
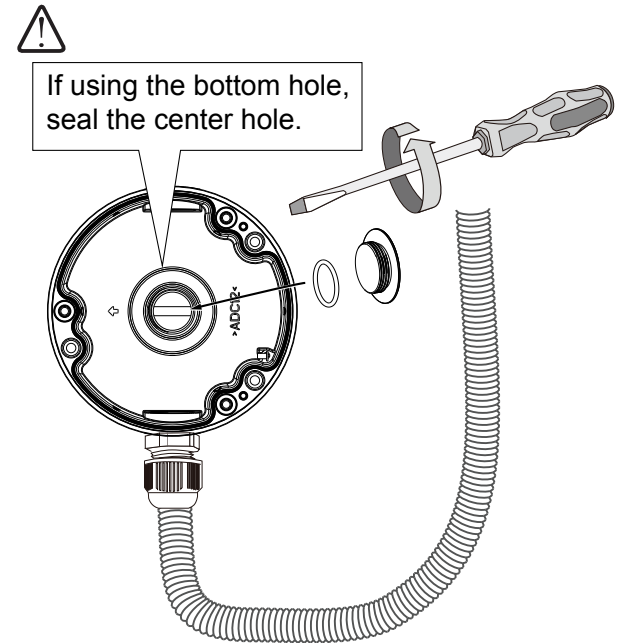
Remove the top cover.



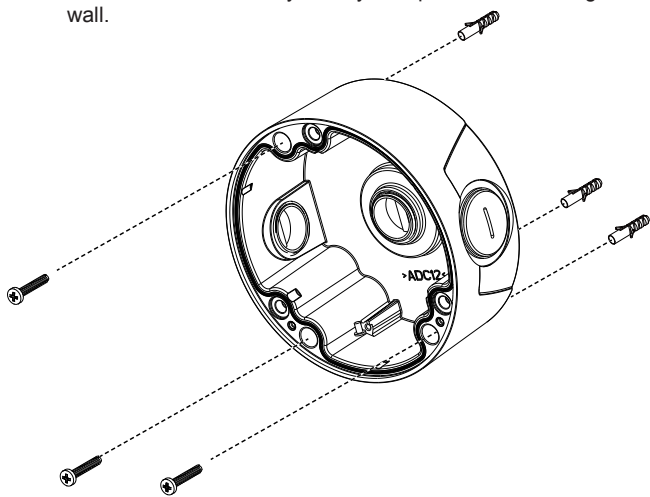
A 3/4" conduit is required for routing the cables with waterproof connection.



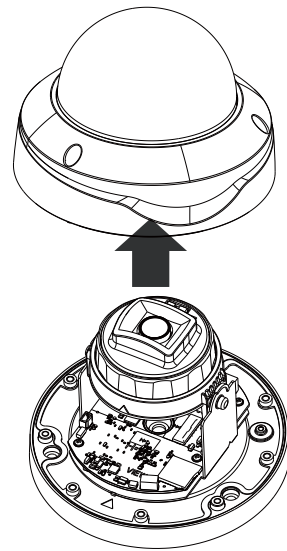
Install the cable gland and pass cables through it.



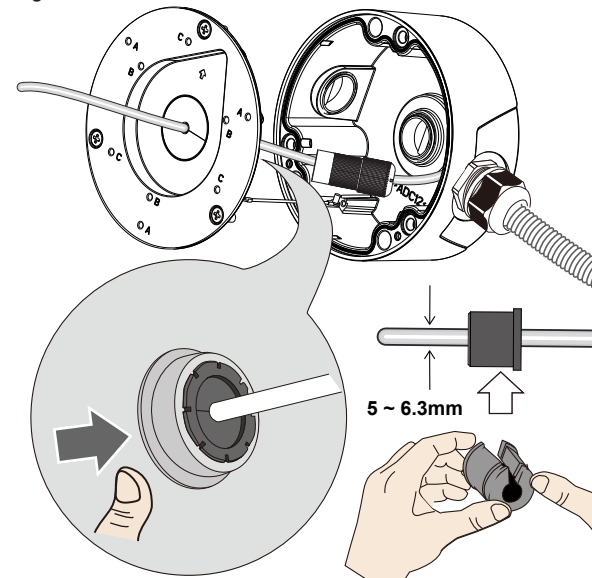
**3** Attach the included alignment sticker to a preferred position. Drill holes on the wall and install the junction box. If space behind the wall allows, you may also pass cables through the wall.



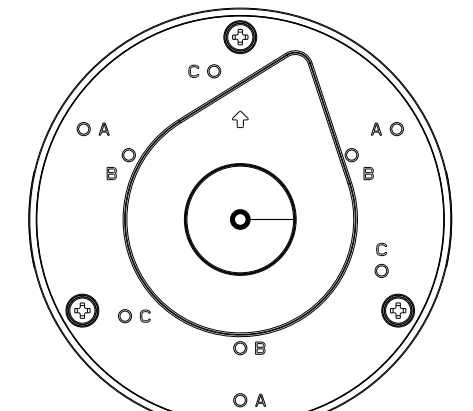
**4** Loosen and remove the camera top cover. (Using one of the supported cameras as an example)



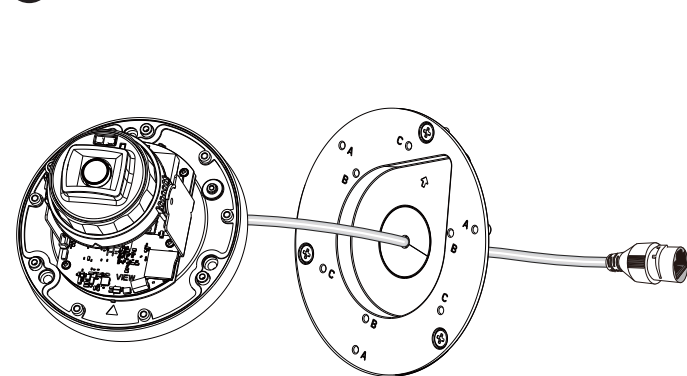
**7** Make sure the rubber seal is properly installed to the center hole. The outer rim of the seal must be through and cover the edge of the hole.



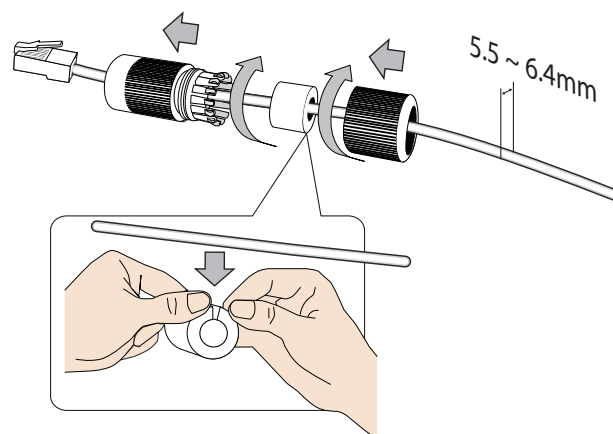
**8** A: FD9389 series, FD9368-HT, FD9388-HT  
B: IT9388-HT  
C: FD9360-H, FD9380-H



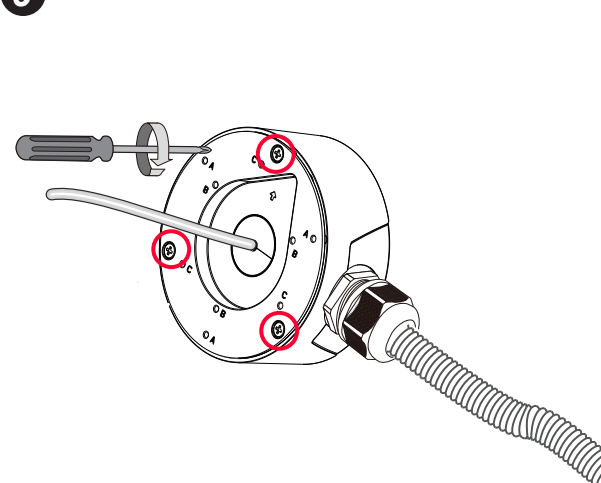
**5** Pass the camera's Ethernet cable through the center hole of the box and the rubber seal.



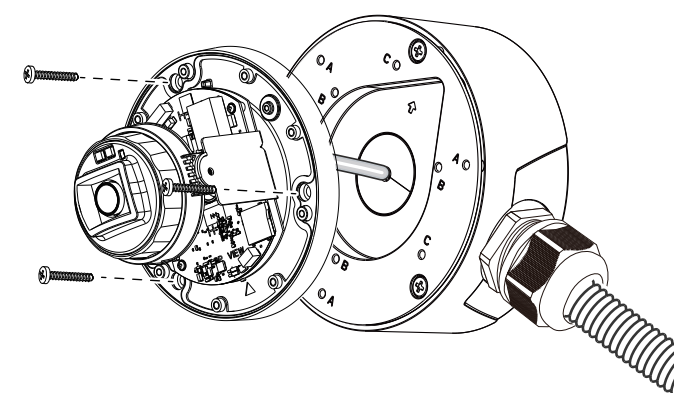
**6** Install the waterproof components of the cable gland to your Ethernet cable following the QIG of your camera. The cable gland will be placed within the protection of the box.



**9** Secure the top cover by fastening 3 cross-head screws.



**10** Install the camera using the corresponding mounting holes.



**11** Open a live view console and adjust the shooting direction.  
Refer to the camera's QIG for more information.

Secure the camera top cover.

