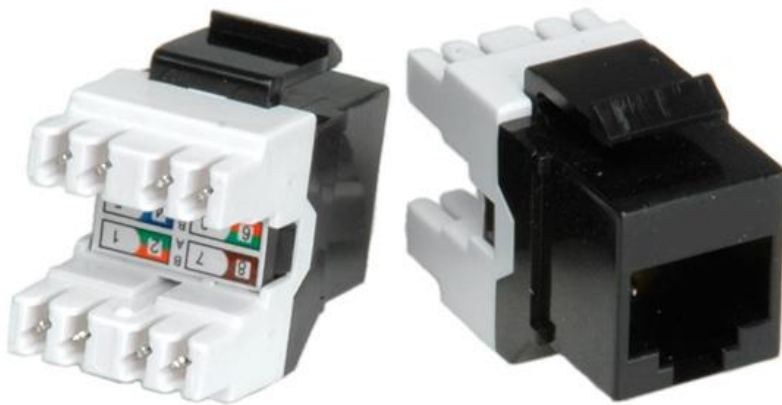




Datenblatt - Fiche technique - Data sheet

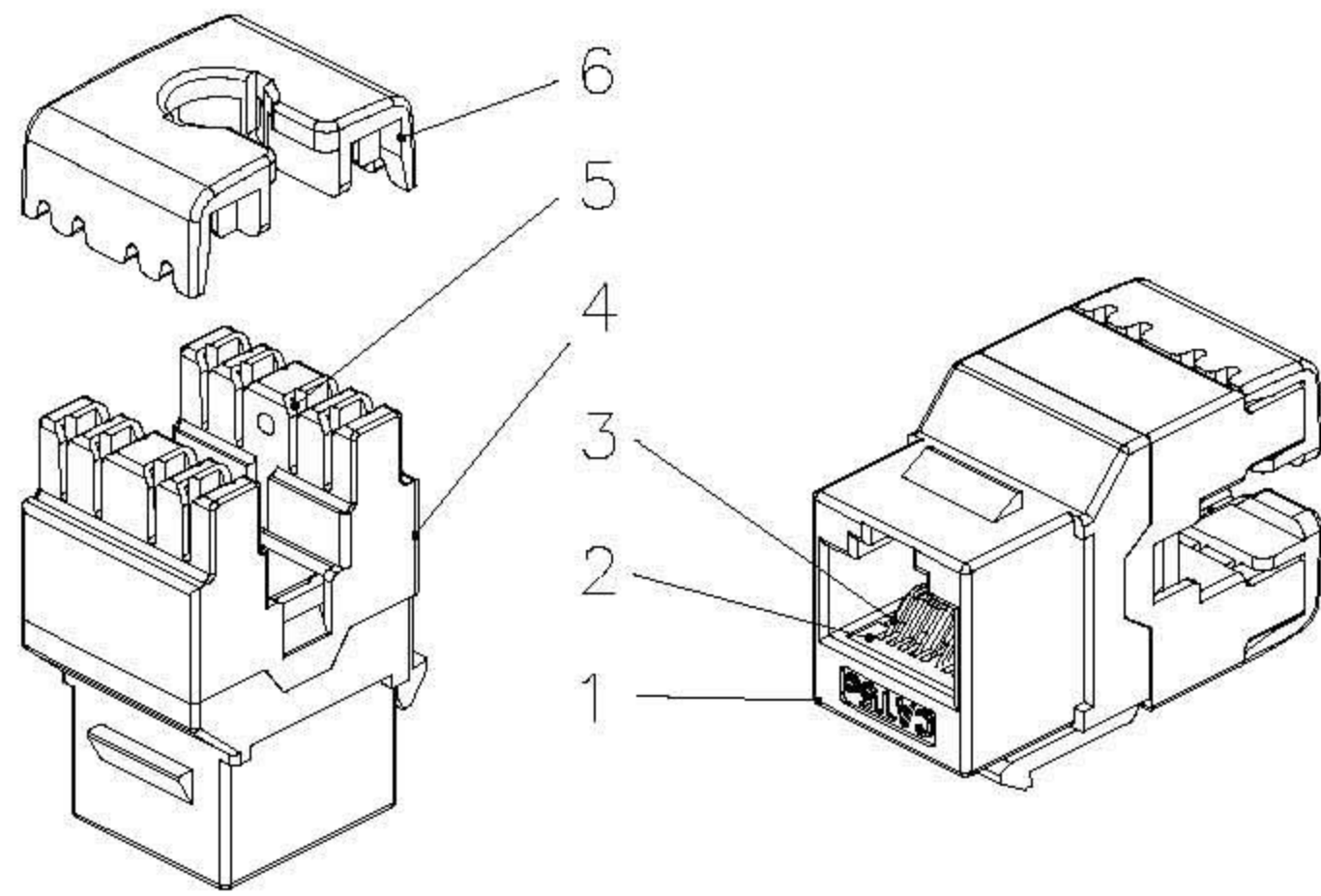
**26.11.0342**



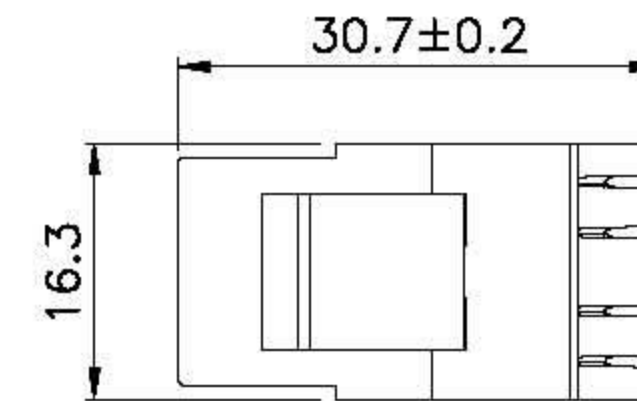
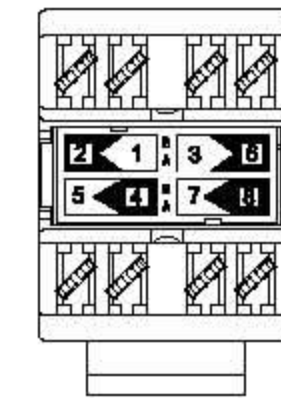
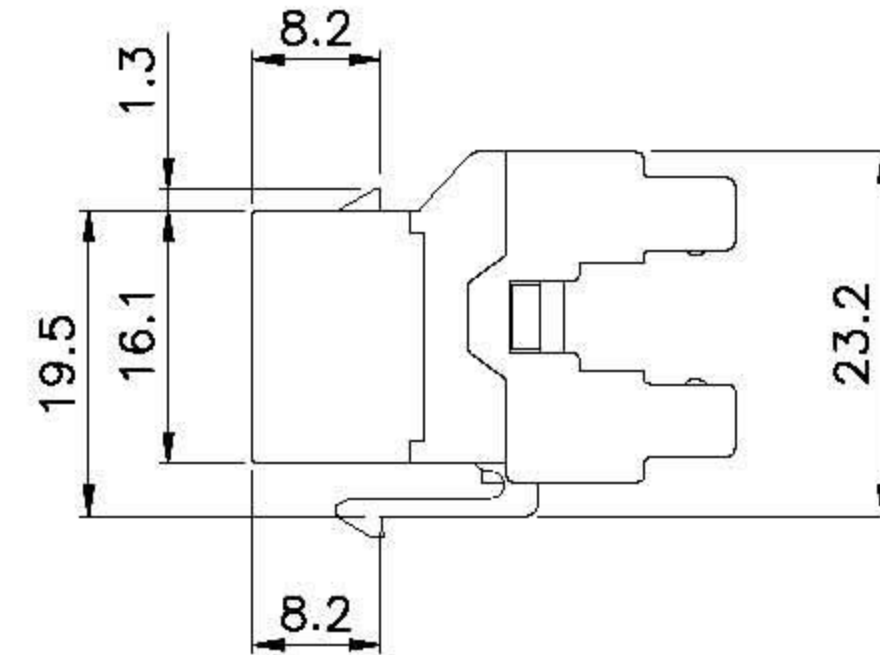
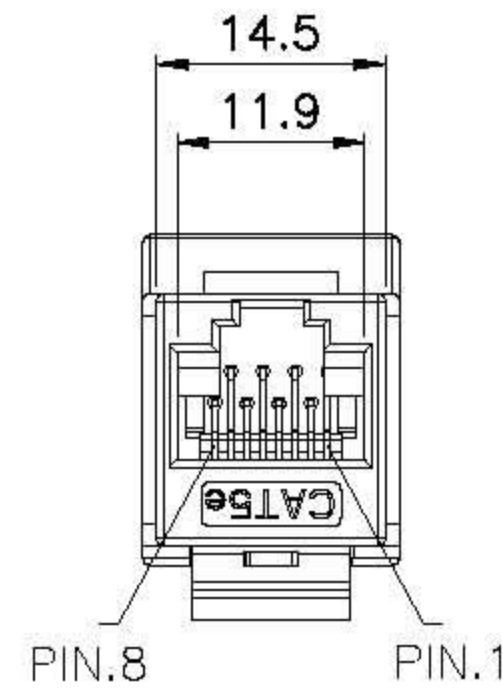
ROLINE Kat.5e Keystone, RJ-45, ungeschirmt, schwarz

ROLINE Module cat.5e, RJ-45, noir

ROLINE Cat.5e Keystone Jack, RJ-45, unshielded, black



SCALE 1/1



Specification :

Material :

1. Plastic Housing : ABS + PC, UL 94V-0.
2. Jack Bracket Set : Polycarbonate, UL94-HB, Transparent color.
3. RJ45 Jack Contact material & finished :
  - 3-1. Phosphor Bronze with 50-60 micro-inch Nickel plated.
  - 3-2. Contact area : Min.3 mm 50 micro-inch Gold plated.
4. IDC Housing : PC+5%GF, UL 94V-2.
5. IDC Terminal material & finished :
  - 5-1. Phosphor Bronze with 50 micro-inch Tin plated.
  - 5-2. 110&Krone tool compatible.
  - 5-3. Suitable for 22-26 AWG stranded and solid wire.
6. IDC CAP : ABS, UL 94V-0.

Performance :

- a. The sticker color codes combine two wirings of T568A & T568B.
- b. Insertion Force : 900 gms for 8 contacts.
- c. Retention Strength : 7.7 kgs between Jack and Plug.
- d. Operation Temperature : -40°C to 80°C.
- e. Durability :
  - e-1. Jack : 750 cycles Plug-Jack mating and unmating test, insertion cycles at 20 cycles/minute max. Contact resistance test per 100 cycles.
  - e-2. IDC : Max. 200 punching times.
- f. The Cat.5e performance is in compliance with the ANSI/TIA/EIA 568 B.2 standard.

|   |                                |             |                        |                         |                                 |
|---|--------------------------------|-------------|------------------------|-------------------------|---------------------------------|
| GENERAL TOLERANCE OF DIMENSIONS<br>X.XXX ±0.005<br>X.XX ±0.05<br>X.X ±0.1 | DRAWING                        | 19.MAR.2009 | Connie                 | <b>rotronic</b>         |                                 |
|   | CHECK                          | 19.MAR.2009 | KLi                    |                         |                                 |
|   | APPROVAL                       | 19.MAR.2009 | Yty                    |                         |                                 |
|   |                                | DATE        | NAME                   | ITEM NO.: 26.11.0342,43 |                                 |
|   | SCALE                          | 1/1 (A4)    | UNIT                   | mm                      | DES.: Cat.5e 180° Keystone Jack |
|   | DRAWING NO. KJ18-CECUS/XX(SA1) |             | DRAWING CLASSIFICATION |                         | SHEET 1 OF 1                    |

