

Data sheet

Keystone wall outlet surface mounted 1 port unequipped pure white

Page 1/4

P/N

1309140002KE

EAN 4250184140955

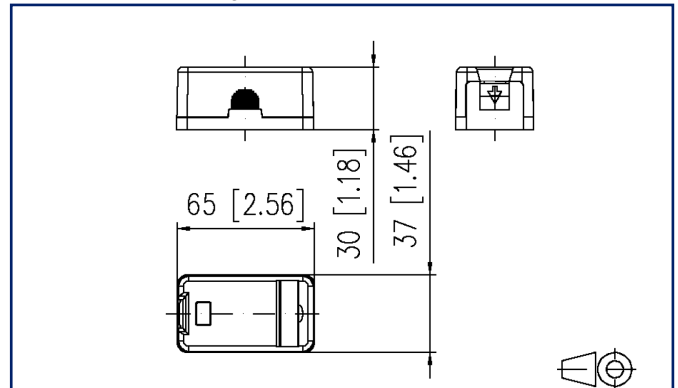
2023/04/24

Version: U

Illustrations



Dimensional drawing



See enlarged drawings at the end of document

Product specification

- very compact surface-mounted termination unit for individual Keystone modules
- module plug direction 90° downwards
- strain relief with cable tie at the module
- label window for identification labels (labels included in the delivery)
- integrated dust protection shutter
- cover parts in color similar to pure white RAL 9010, glossy surface
- not suitable for 180° couplers (anti-bend sleeves for patch cables usually too long)
- variants: 1 port, 2 ports



P | Cabling

Data sheet

Page 2/4

Keystone wall outlet surface mounted 1 port unequipped pure white

P/N

1309140002KE

EAN 4250184140955

2023/04/24

Version: U

Technical Data

General Data

Fields of application	office areas
Mechanical measurement according to MICE	M1
Ingress measurement according to MICE	I1
Climatic measurement according to MICE	C1
Electromagnetic measurement according to MICE	E3
Design	wall outlet
Mounting style	AP
Color	white
Dimensions	
Dimension (L x W x H)	65 mm x 37 mm x 30 mm
Dimension (L x W x H)	2.559 in. x 1.457 in. x 1.181 in.
Modularity	yes
Labeling option	label window with identification label
Marking option	by dust protection

Connections/interfaces

Number of ports interface 2	1
Number of ports interface 2 equipped	0
Number of ports with dust protection interface 2	1
Module plug-in direction	90° downwards

Mechanical data

Cut-out	Keystone
strain relief	attached to module

Materials and material properties

Material - Label window	ABS, transparent
Material - Dust protection	ABS
Halogen free	yes
RoHS	compliant

P | Cabling

Data sheet

Page 3/4

Keystone wall outlet surface mounted 1 port unequipped pure white

P/N

1309140002KE

EAN 4250184140955

2023/04/24

Version: U

Technical Data

Classifications

ETIM 5.0	EC001264
ETIM 6.0	EC001264
ETIM 7.0	EC001264
ETIM 8.0	EC001264
ETIM 9.0	EC001264

Packing details

Type of packaging	40 pc(s) / plastic bag
Packaging unit - Weight (gram)	35 g
Packaging unit - Weight (pound)	0.08 lb
Packaging dimension	300 mm x 200 mm x 50 mm
Packaging dimension	11.811 in. x 7.874 in. x 1.969 in.



P | Cabling

Data sheet

Page 4/4

**Keystone wall outlet surface mounted 1 port
unequipped pure white**

P/N

1309140002KE

EAN 4250184140955

2023/04/24

Version: U

Illustrations

Dimensional drawing

