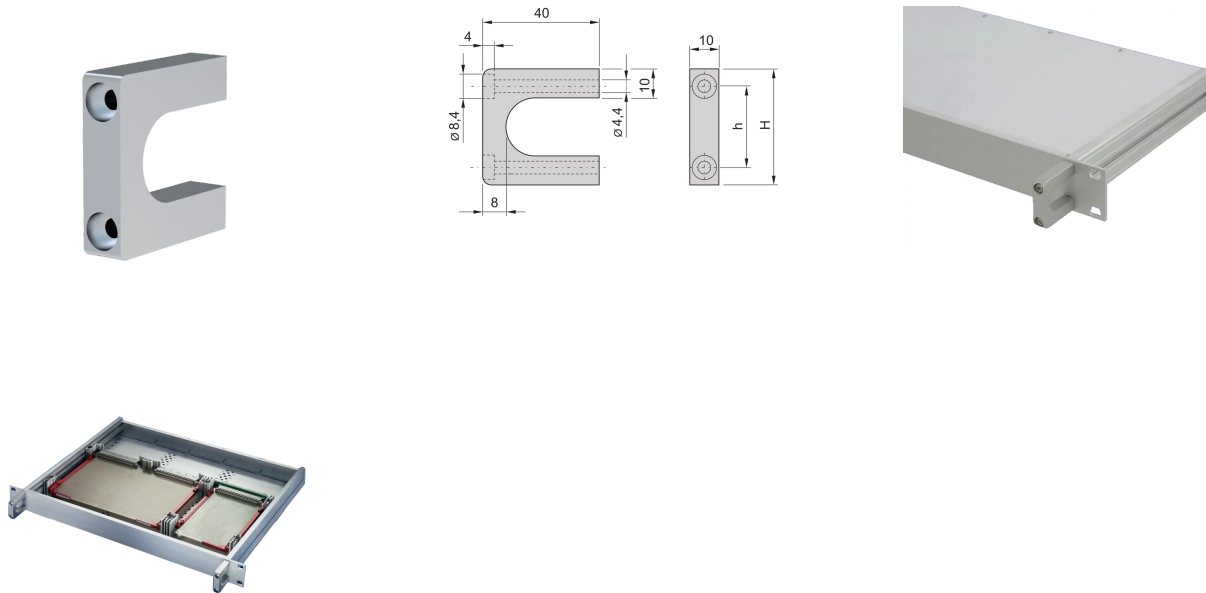


20860-256 MULTIPACPRO FRONT HANDLE, ONE-PIECE, WIDTH 10 MM, 1 U



KEY FEATURES

Load-carrying capacity 30 kg/pair

Assembly on the front panel

Can be used for the aluminium or sheet metal versions

PRODUCT ATTRIBUTES

Product Type: Handle

Works With: Chassis; Front Panels

Handle Type: Straight

Rack Height: 1 U

Width: 10 mm

Material: Aluminum

Color: Silver

Package Quantity: 2

ADDITIONAL PRODUCT DETAILS

The front handles can be mounted and provide an easier to mount assembly. The handles can be assembled from the front side.

CERTIFICATIONS



North America

All locations
+1.763.422.2661
Chat with us:
schroff.nvent.com

Europe

Straubenhardt, Germany
+49.7082.794.0
Betschdorf, France
+33.3.88.90.64.90
Warsaw, Poland
+48.22.209.98.35
Assago, Italy
+39.02.932.7141
Chat with us:
schroff.nvent.com

Asia

Shanghai, China
+86.21.2412.6943
Qingdao, China
+86.532.8771.6101
Singapore
+65.6768.5800
Shin-Yokohama, Japan
+81.45.476.0271
Chat with us:
schroff.nvent.com

Middle East & India

Dubai, United Arab Emirates
+971.4.378.1700
Bangalore, India
+91.80.6715.2001
Istanbul, Turkey
+90.216.250.7374
Chat with us:
schroff.nvent.com



Our powerful portfolio of brands:
nVent.com **CADDY ERICO HOFFMAN RAYCHEM SCHROFF TRACER**

© 2023 nVent. All nVent marks and logos are owned or licensed by nVent Services GmbH or its affiliates. All other trademarks are the property of their respective owners.

nVent reserves the right to change specifications without notice.