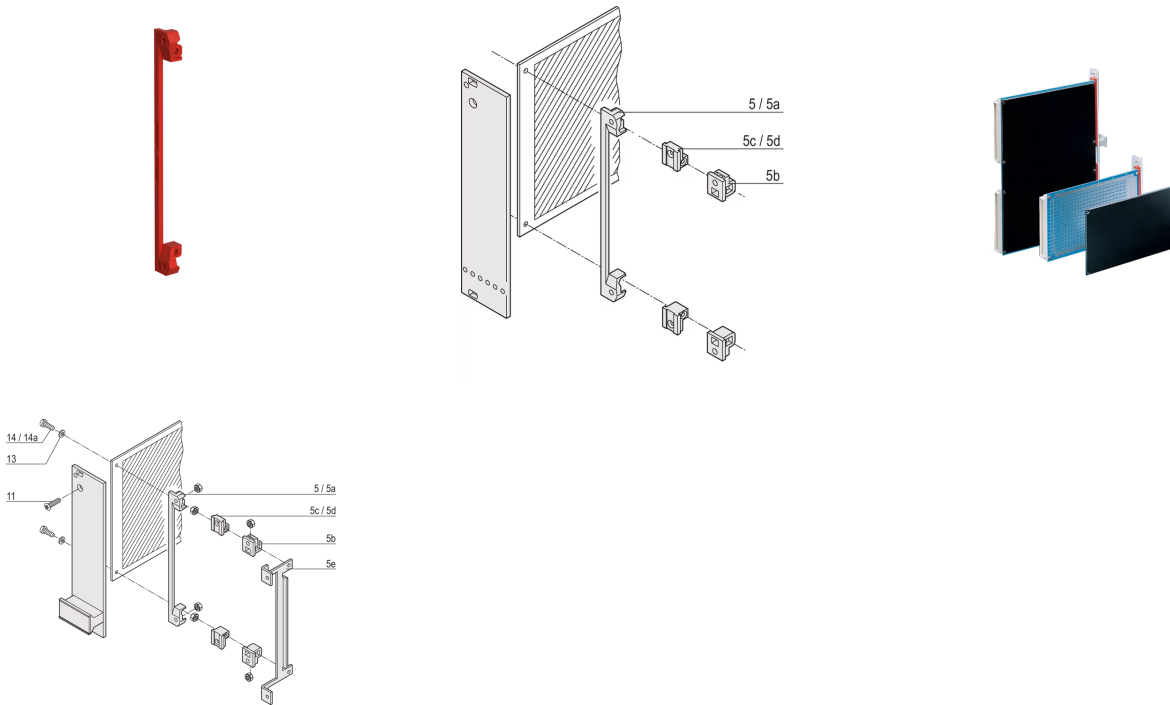


60807-011 PCB BRACKET FOR FIXING FRONT PANEL/PCB, PLASTIC, RED



KEY FEATURES

For fixing PCB to front panel

PRODUCT ATTRIBUTES

Product Type: Bracket

Type: PCB Bracket

Works With: Front Panels

Material: Polybutylene Terephthalate

Flammability Rating: UL® 94V-0

ADDITIONAL PRODUCT DETAILS

The PCB support brackets enable the fixing of a PCB to front panel. Available in different materials.

Delivery is in standard pack multiples. Pricing is per individual item.



North America

All locations
+1.763.422.2661
Chat with us:
schroff.nvent.com

Europe

Straubenhardt, Germany
+49.7082.794.0
Betschdorf, France
+33.3.88.90.64.90
Warsaw, Poland
+48.22.209.98.35
Assago, Italy
+39.02.932.7141
Chat with us:
schroff.nvent.com

Asia

Shanghai, China
+86.21.2412.6943
Qingdao, China
+86.532.8771.6101
Singapore
+65.6768.5800
Shin-Yokohama, Japan
+81.45.476.0271
Chat with us:
schroff.nvent.com

Middle East & India

Dubai, United Arab Emirates
+971.4.378.1700
Bangalore, India
+91.80.6715.2001
Istanbul, Turkey
+90.216.250.7374
Chat with us:
schroff.nvent.com



Our powerful portfolio of brands:
nVent.com **CADDY ERICO HOFFMAN RAYCHEM SCHROFF TRACER**