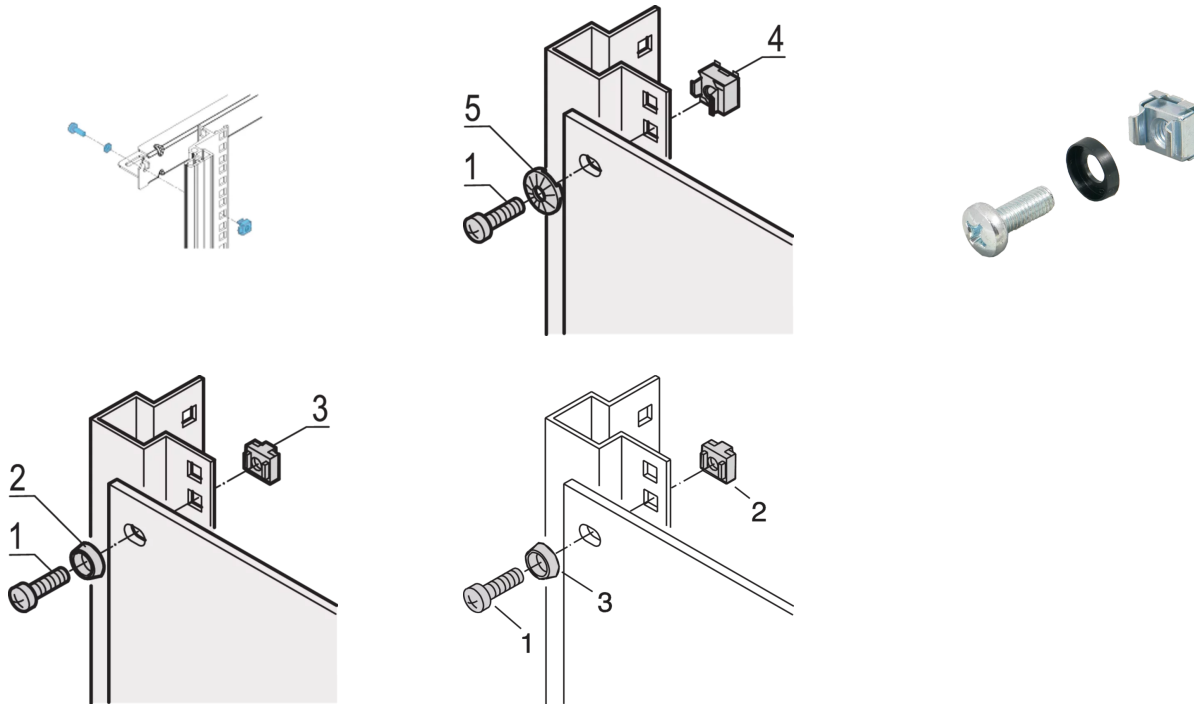




SCHROFF

## 27230-056 19" ASSEMBLY KIT, 4 X SCREW M5X12, EARTHING NUT M5 FOR SLIDE RAILS



### KEY FEATURES

Slide Rail kit for mounting between a front and a rear pair of Slide rails, to support heavy 19" components

### PRODUCT ATTRIBUTES

Product Type: Slide Rail

Product Family: Novastar

Works With: Novastar

### ADDITIONAL PRODUCT DETAILS

Slide Rail kit for mounting between a front and a rear pair of Slide rails, to support heavy 19" components. Side system punchings for mounting accessories and cooling components that expel to the side.



**North America**

All locations  
+1.763.422.2661  
Chat with us:  
[schroff.nvent.com](https://schroff.nvent.com)

**Europe**

Straubenhardt, Germany  
+49.7082.794.0  
Betschdorf, France  
+33.3.88.90.64.90  
Warsaw, Poland  
+48.22.209.98.35  
Assago, Italy  
+39.02.932.7141  
Chat with us:  
[schroff.nvent.com](https://schroff.nvent.com)

**Asia**

Shanghai, China  
+86.21.2412.6943  
Qingdao, China  
+86.532.8771.6101  
Singapore  
+65.6768.5800  
Shin-Yokohama, Japan  
+81.45.476.0271  
Chat with us:  
[schroff.nvent.com](https://schroff.nvent.com)

**Middle East & India**

Dubai, United Arab Emirates  
+971.4.378.1700  
Bangalore, India  
+91.80.6715.2001  
Istanbul, Turkey  
+90.216.250.7374  
Chat with us:  
[schroff.nvent.com](https://schroff.nvent.com)



Our powerful portfolio of brands:  
[nVent.com](https://nVent.com) **CADDY ERICO HOFFMAN RAYCHEM SCHROFF TRACER**