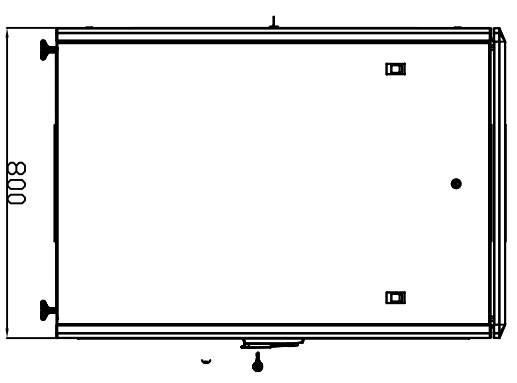
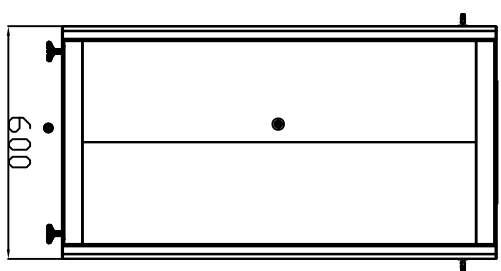


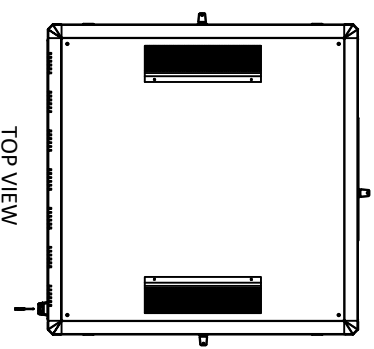
FRONT VIEW



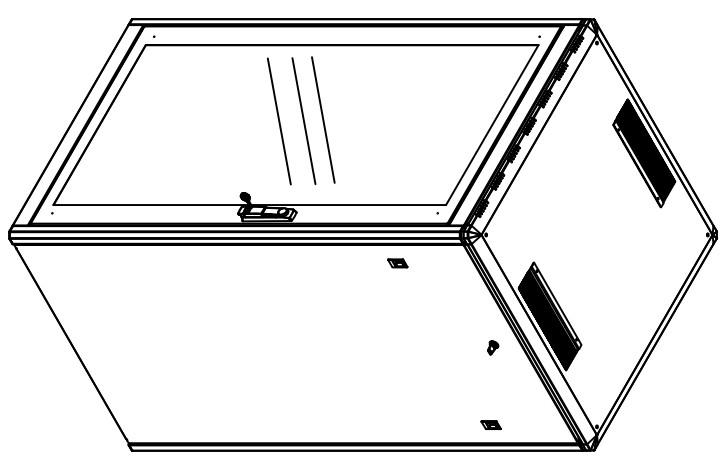
SIFDE VIEW



REAR VIEW



TOP VIEW



ISOMETRIC VIEW