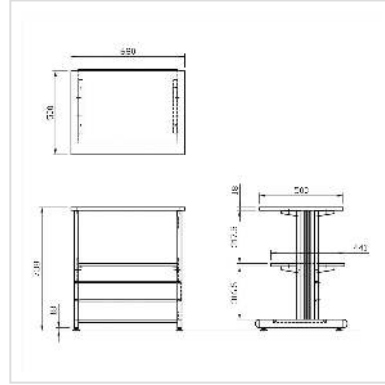
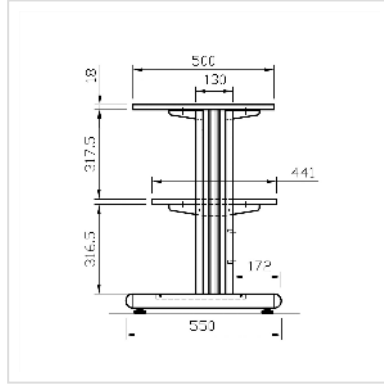


# ROLINE Printer Table, up to 80 kg, grey

<b>Product No.</b>	17.01.1089
<b>Manufacturer</b>	ROLINE
<b>Manufacturer No.</b>	17.01.1089
<b>EAN (single piece)</b>	7611990146789



- Stable metal / plastic frame
- Load bearing capacity: up to 80 kg
- Printer shelf (WxD: 68x50 cm)
- Middle shelf (WxD: 59x44 cm)
- Floor level shelf (WxD: 59x31.5 cm)
- Level screws prevent the printer table from tilting on its side
- Colour:  
frame: light grey  
surface: white  
surface border: grey
- Dimensions (WxHxD): 74x68x55 cm
- Weight: 16 kg

## Technical specifications

Manufacturer	ROLINE
Product group	Furniture
Product type	printer table
Colour	grey
delivery condition	decomposed
Width table top	68 cm
Depth table top	50 cm

Strength table top	18 mm
Height	740 mm
Width	680 mm
Depth	550 mm
Weight	16 kg
Height of packaging (single piece)	130 mm
Width of packaging (single piece)	600 mm
Depth of packaging (single piece)	750 mm
Package weight (single piece)	18 kg