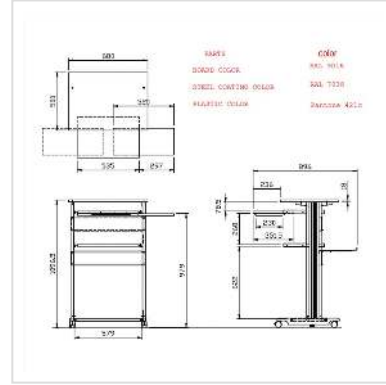
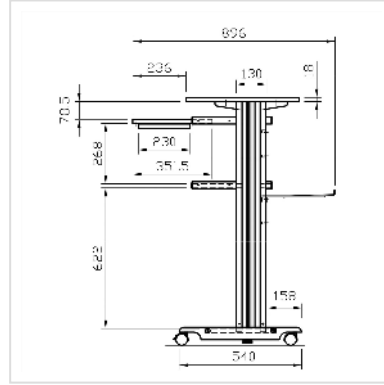


ROLINE PC Standing Workstation

Product No.	17.02.1545
Manufacturer	ROLINE
Manufacturer No.	17.02.1545
EAN (single piece)	7611990146796

roline
Designed for Professionals



- Stable metal/plastic frame
- Load bearing capacity: up to 40 kg
- Top shelf (WxD: 68 x 50 cm) for monitor etc.
- Slide-out keyboard shelf (WxD: 53.5 x 35 cm) with mouse surface (28 x 23 cm)
- Slide-out shelf (WxD: 53.5 x 35 cm) which can be used for printers
- Floor level shelf (WxD: 57.9 x 31.5 cm)
- Up to 40kg load bearing capacity
- Mobile via 4 wheels, 2 of which can be locked
- Colour:
frame: light grey
surface: white
surface border: grey
- Dimensions (HxWxD): 110 x 68 x 54 cm

Technical specifications

Manufacturer	ROLINE
Product group	Furniture
Product type	PC workstation
Colour	grey
delivery condition	decomposed
Width table top	68 cm
Depth table top	50 cm

Strength table top	18 mm
Height	1100 mm
Width	680 mm
Depth	540 mm
Weight	26 kg
Height of packaging (single piece)	110 mm
Width of packaging (single piece)	620 mm
Depth of packaging (single piece)	1100 mm
Package weight (single piece)	25 kg