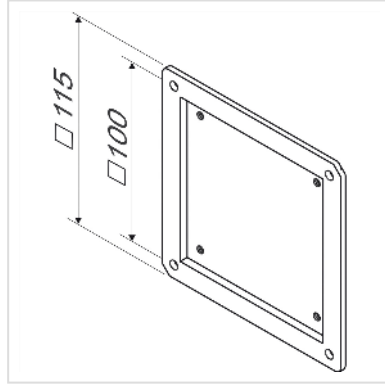


# ROLINE VESA Adapter, black

<b>Product No.</b>	17.03.1100
<b>Manufacturer</b>	ROLINE
<b>Manufacturer No.</b>	17.03.1100
<b>EAN (single piece)</b>	7611990155361



- Accommodates standard VESA compliant monitors (75 mm / 100 mm)

## Technical specifications

Manufacturer	ROLINE
Product group	LCD-Monitor arms
Product type	VESA Adapters
Colour	black
Fixing	VESA 75 to VESA 100
Number of monitors	1
VESA 75 x 75 mm	Yes
VESA 100 x 100 mm	Yes
Material group	metal
Technical particularity	fixation screws
Weight	318 g
Height of packaging (single piece)	10 mm
Width of packaging (single piece)	80 mm
Depth of packaging (single piece)	140 mm

---

Package weight (single piece) 0.326 kg