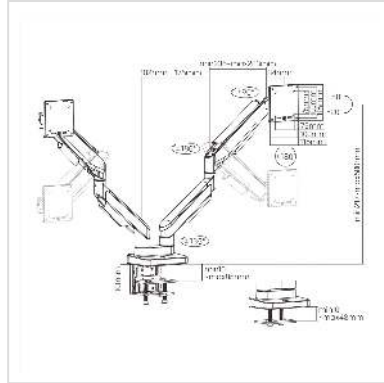


ROLINE DualLCD Monitor Stand, Gas Spring, Desk Clamp, 2x < 88 cm (35"), Heavy Duty <= 20 kg, 5 Joints

| | |
|---------------------------|---------------|
| Product No. | 17.03.1109 |
| Manufacturer | ROLINE |
| Manufacturer No. | 17.03.1109 |
| EAN (single piece) | 7630049627697 |

roline
Designed for Professionals



Dual LCD monitor arm, for easy and reliable adjustment of two monitors with up to 20 kg each (weight adjustment between 2 kg and 20 kg) and VESA 75x75/100x100!

- Delicate and streamlined design
- Made of high quality aluminum alloy
- Gas spring allows easy positioning of the monitor
- Meets VESA 75 (75x75 mm) and VESA 100 (100x100 mm)
- Detachable VESA Plate enables easy installation
- Pivot function - screen is 90 degrees rotatable
- A clever cable management is built into the rear arm
- Color: Matte Black & Dark Grey

Specifications:

- Fits Curved Monitors: Yes
- Fits screen sizes: < 2x 88cm (17" ~ 35")
- Weight/Load Capacity (per screen): 2 ~ 20kg
- VESA Compatible: 75x75, 100x100
- Tilt Range: +50° ~ -20°
- Swivel Range: +90° ~ -90°
- Screen Rotation: +180° ~ -180°
- Arm Full Extension: 458mm
- Installation: Clamp, Grommet
- Suggested Desktop Thickness:

Clamp 10~85mm

Grommet 10~48mm

- Fits Curved Monitors: Yes

- Quick Release VESA Plate: Yes

- Cable Management: Yes

Technical specifications

| | |
|-----------------------------|--------------------------|
| Manufacturer | ROLINE |
| Product group | LCD-Monitor arms |
| Product type | Monitor Arms, Desk Clamp |
| Colour | black / gray |
| Load capacity | 40 kg |
| Quantity of pivots | 2x 5 |
| Fixing | Desk clamp |
| Maximal arm length | 458 |
| Adjustments | Gas spring |
| Inclinable | yes |
| Height adjustable | yes |
| Rotatable | yes |
| Number of monitors | 2 |
| Max. Screen diagonal (cm) | 88 cm |
| Max. Screen diagonal (inch) | 35 inch |
| Min. Screen diagonal (cm) | 43 cm |
| Min. Screen diagonal (inch) | 17 inch |
| VESA 75 x 75 mm | yes |
| VESA 100 x 100 mm | yes |
| Material group | metal |
| Weight | 8558 g |

| | |
|---------------------------------------|--------|
| Height of packaging (single piece) | 200 mm |
|---------------------------------------|--------|

| | |
|--------------------------------------|--------|
| Width of packaging (single piece) | 330 mm |
|--------------------------------------|--------|

| | |
|--------------------------------------|--------|
| Depth of packaging (single piece) | 430 mm |
|--------------------------------------|--------|

| | |
|----------------------------------|--------|
| Package weight (single piece) | 9.5 kg |
|----------------------------------|--------|