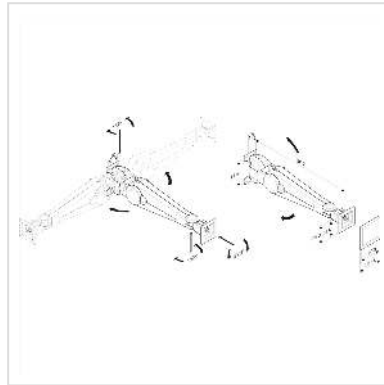


ROLINE LCD Monitor Arm Pneumatic, Pivot, Wall Mount

Product No.	17.03.1122
Manufacturer	ROLINE
Manufacturer No.	17.03.1122
EAN (single piece)	7611990149759



- Holds the screen in any position without the need for knobs or levers
- Adjusts the screen to the most comfortable viewing angle
- Adjusting knob offers the different weight needs
- Arms provide up and down, left and right, front and back pivot and tilting capability
- Provides clockwise direction and counter clockwise rotation of the arm
- Cable location helps to organize the cables
- Fix to any place of the wall/desk to diversify view angles
- Wall mount
- Meet VESA 75 (75x75 mm) or VESA 100 (100x100 mm)

Technical specifications

Manufacturer	ROLINE
Product group	LCD-Monitor arms
Product type	Monitor Arms, wall mount
Colour	silver
Scope of delivery	screw, cover, tool, dowel, instructions, washer, mounting arms, monitor arms, VESA
Load capacity	8 kg
Quantity of pivots	4
Fixing	Wall mounting

Maximal arm length	440 mm
Adjustments	Gas spring
Inclinable	yes
Height adjustable	yes
Rotatable	yes
Number of monitors	1
VESA 75 x 75 mm	yes
VESA 100 x 100 mm	yes
Material group	metal
Technical particularity	cable run in arm; weight adjustment
Weight	3524.6 g
Height of packaging (single piece)	100 mm
Width of packaging (single piece)	270 mm
Depth of packaging (single piece)	470 mm
Package weight (single piece)	4.019 kg