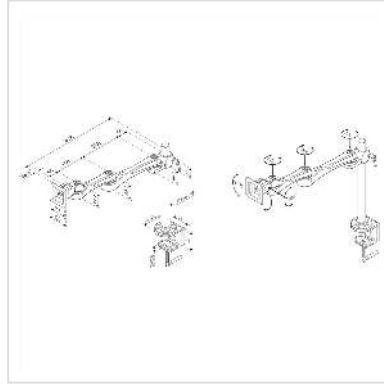


# ROLINE Single LCD Monitor Arm, 5 Joints, Desk Clamp

|                           |               |
|---------------------------|---------------|
| <b>Product No.</b>        | 17.03.1132    |
| <b>Manufacturer</b>       | ROLINE        |
| <b>Manufacturer No.</b>   | 17.03.1132    |
| <b>EAN (single piece)</b> | 7611990155408 |



Applications: Medical equipment at a clinic or mobile cart, Industrial machinery, monitor system at a production line, financial institutions

- High quality aluminum alloy
- The aluminum alloy material and silver frame gives an elegant and superior look, which beautifies your monitor and the working environment
- The sturdy main frame can still move smoothly under heavy load
- Cable organizer is included; cables are hidden under the arm
- Meets VESA 75 (75x75 mm) or VESA 100 (100x100 mm)

## Technical specifications

|                    |                          |
|--------------------|--------------------------|
| Manufacturer       | ROLINE                   |
| Product group      | LCD-Monitor arms         |
| Product type       | Monitor Arms, Desk Clamp |
| Colour             | silver                   |
| Scope of delivery  | Monitor Arms, Wall Mount |
| Load capacity      | 10 kg                    |
| Quantity of pivots | 4                        |
| Fixing             | desk clamp               |
| Maximal arm length | 620 mm                   |
| Adjustments        | Adjustable spring gauge  |

|                                       |                       |
|---------------------------------------|-----------------------|
| Height adjustable                     | yes                   |
| Number of monitors                    | 1                     |
| VESA 75 x 75 mm                       | yes                   |
| VESA 100 x 100 mm                     | yes                   |
| Material group                        | metal                 |
| Technical particularity               | vertically adjustable |
| Weight                                | 4664.8 g              |
| Height of packaging<br>(single piece) | 230 mm                |
| Width of packaging<br>(single piece)  | 230 mm                |
| Depth of packaging<br>(single piece)  | 440 mm                |
| Package weight (single<br>piece)      | 5.806 kg              |