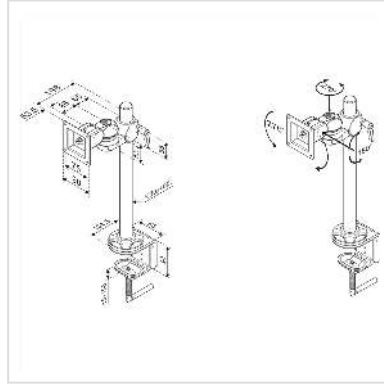


# ROLINE Single LCD Monitor Arm, 2 Joints, Desk Clamp

<b>Product No.</b>	17.03.1134
<b>Manufacturer</b>	ROLINE
<b>Manufacturer No.</b>	17.03.1134
<b>EAN (single piece)</b>	7611990155422



- This flexible monitor arm allows the user to adjust a monitor with perfect angle of view
- Fixing by desk clamp (up to 100 mm)
- The sturdy main frame can still move smoothly under heavy load
- High quality aluminum alloy
- Meets VESA 75 (75 x 75 mm) or VESA 100 (100 x 100 mm)
- Load capacity: 12 kg
- Length of pillar: 400 mm
- Arm length: 190 mm

## Technical specifications

Manufacturer	ROLINE
Product group	LCD-Monitor arms
Product type	Monitor Arms, Desk Clamp
Colour	silver
Load capacity	12 kg
Quantity of pivots	2
Fixing	desk clamp
Maximal arm length	190 mm
Adjustments	Adjustable spring gauge
Height adjustable	yes

Number of monitors	1
VESA 75 x 75 mm	yes
VESA 100 x 100 mm	yes
Material group	metal
Technical particularity	vertically adjustable
Weight	3648.4 g
Height of packaging (single piece)	160 mm
Width of packaging (single piece)	230 mm
Depth of packaging (single piece)	430 mm
Package weight (single piece)	4.391 kg