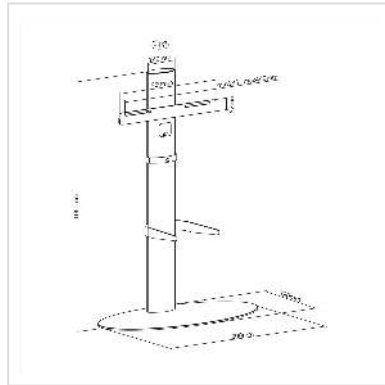


# ROLINE LCD/TV Floor Stand, up to 40kg, silver

<b>Product No.</b>	17.03.1262
<b>Manufacturer</b>	ROLINE
<b>Manufacturer No.</b>	17.03.1262
<b>EAN (single piece)</b>	7630049616219

**roline**  
Designed for Professionals



**The silver stand made of sturdy, matt aluminium is ideal for a TV that is to be placed and aligned centrally in the room - ideal for presentation and meeting rooms, but also for home use. The shelf offers space for a game console, a BluRay player or a receiver.**

- Silver aluminium TV stand
- Height adjustable TV mount between 900-1060mm
- Best possible cable management due to the aluminium body
- Sturdy base plate
- +/- 45° rotation for the best possible room orientation
- Supports max. VESA: 400x400
- Maximum screen size: 32"-55"
- Maximum load capacity: 40kg

## Technical specifications

Manufacturer	ROLINE
Product group	LCD-Monitor arms
Product type	Monitor stand
Colour	silver
Load capacity	40 kg
Quantity of pivots	1
Adjustments	Adjustable spring gauge

Height adjustable	yes
Rotatable	yes
Number of monitors	1
Max. Screen diagonal (inch)	55 inch
Min. Screen diagonal (inch)	32 inch
VESA 200 x 100 mm	yes
VESA 200 x 200 mm	yes
VESA 300 x 200 mm	yes
VESA 300 x 300 mm	yes
VESA 400 x 200 mm	yes
VESA 400 x 300 mm	yes
VESA 400 x 400 mm	yes
Material group	metal
Technical particularity	Height: 900 to 1060 mm
Height	1060 mm
Width	800 mm
Depth	390 mm
Weight	20039.4 g
Height of packaging (single piece)	170 mm
Width of packaging (single piece)	470 mm
Depth of packaging (single piece)	1150 mm
Package weight (single piece)	22 kg