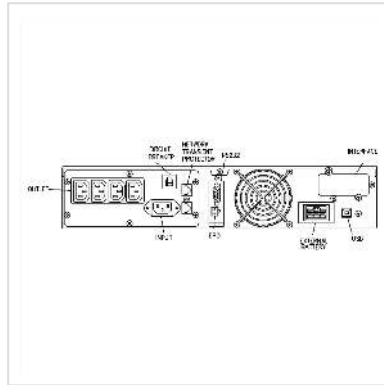


# ROLINE ProSecure II 700 RM2U - Online UPS, 19" Rack Version

<b>Product No.</b>	19.40.1088
<b>Manufacturer</b>	ROLINE
<b>Manufacturer No.</b>	19.40.1088
<b>EAN (single piece)</b>	7611990154883



The ROLINE ProSecure Series - for optimum power protection is a truly state of the art online double conversion UPS, ideal for all essential computer systems and servers. Protects against: power failure, power sag, power surge, under voltage, over voltage, switch transient, line noise, frequency variation, harmonic distortion.

## Product features:

- Cold start function (DC power on)
- Lightning and surge protection
- Battery replacement warning
- Emergency Power Off function
- Battery remain time display
- LCD display front panel
- Power factor correction
- Support USB communication
- Multiple language LCD display
- On line output voltage selected
- Hot swappable battery by user
- True on-line technology provides all power protection
- Pure sine-wave output with less than 3% THD
- Fully digitized microprocessor controlled
- Short Circuit and overload protection
- Advanced

## management (ABM)

- Automatic battery charge in UPS off mode

- Automatic diagnostics & battery check
- RS-232 communication port with monitoring software
- Network/fax/modem surge protection
- Extended back up time with battery pack
- Load segmentation receptacles controllable
- High efficiency mode selectable
- Fan speed auto control when loads varies
- UPS Management Software : Windows NT/ 2k / XP / 7 / 8 /Server 2003 / 2008 / 2012 x86/x64,  
MAC OS X (Intel) 10.6.x, 10.7.x, 10.8.x Mountain Lion, 10.9.x MavericksMAC OS, LINUX
- Contents: UPS, cable set, UPS management software

### Technical specifications

Manufacturer	ROLINE
Product group	UPS
Product type	UPS Online, Rackmount
Colour	grey
Scope of delivery	UPS, Software, Cable Set
Classification (IEC 62040-3)	VFI-SS-111
UPS technology	Online
Power class	600 ... 900 VA
Output (VA/W)	700 / 490
Efficiency	95 %
Backup time	6 min
Backup time full/half-load	6 / 10 min
Dimensions (HxWxD)	88 x 428 x 425 mm; 2 HE
Mounting form	Rackmount
Voltage (input)	160-230V
Voltage (output)	230V
Output voltage regulation	± 2%
Frequency	50Hz ± 3%

Connector type (input)	cold connector IEC 320 C14
Outputs	4
Connector type (output)	4x cold connector IEC 320 C13
Phase in/output	230V/230V / 50Hz
Over current protection	EMI,- RFI-Filter
Max. quantity of delay expansion units	2
Delay expansion unit	2
Slots for adapter card	1
Slot for adapter card	1
Interface	RS232, USB
RS-232 Interface	Yes
USB 2.0 Interface	Yes
Hot swap batteries	Yes, front side
Bypass	Automatic + manual
Additional over current protector	No
Activity	Display
Activity LED	5
Activity Display	LCD
incl.Management Software	Windows
Internal cooling	Active, fan
Ambient temperature	0 - 40 °C
Operating temperature min.	0 °C
Operating temperature max.	40 °C
Height	88 mm
Width	428 mm
Depth	425 mm

Weight	16 kg
Height of packaging (single piece)	200 mm
Width of packaging (single piece)	540 mm
Depth of packaging (single piece)	540 mm
Package weight (single piece)	32 kg

### Back up time

Power rating (VA / W)	with 0 / 1 / 2 Battery pack (minutes), according to manufacturer
700/490	6 / 33 / 67
630/441	7 / 39 / 77
560/392	8 / 45 / 87
490/343	10 / 55 / 102
420/294	13 / 67 / 125
350/245	18 / 80 / 150
280/196	24 / 105 / 200
210/147	38 / 150 / 280
140/98	60 / 240 / 450
70/49	95 / 500 / 900