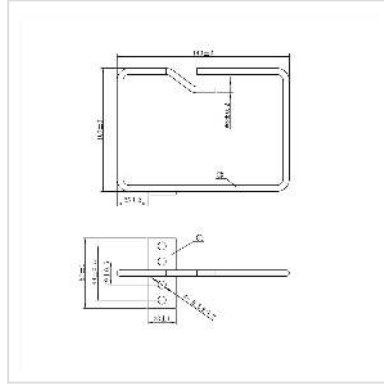


19" Cable Manager, 140x100mm, metal

Product No.	26.30.0010
Manufacturer	ROLINE
Manufacturer No.	26.30.0010
EAN (single piece)	7630049624696



ROLINE 19" cable manager with curved opening for easy cable routing - the 140x100mm cable manager offers plenty of space for your cable harnesses and ensures tidy network technology in your server cabinet

- For mounting on 19" panel/slide mounts
- Helps with the clean cabling of your network technology
- Cable routing laterally in front of the 19" bracket
- Cable manager with 5mm metal thickness, galvanized; angle welded

Technical specifications

Manufacturer	ROLINE
Product group	19"/-10"-Cable management
Product type	Cable lug
Colour	silver
Scope of delivery	Cable Manager
Height	57 mm
Width	100 mm
Depth	140 mm
Weight	95.8 g
Height of packaging (single piece)	40 mm

Width of packaging (single piece)	100 mm
--------------------------------------	--------

Depth of packaging (single piece)	130 mm
--------------------------------------	--------

Package weight (single piece)	0.12 kg
----------------------------------	---------