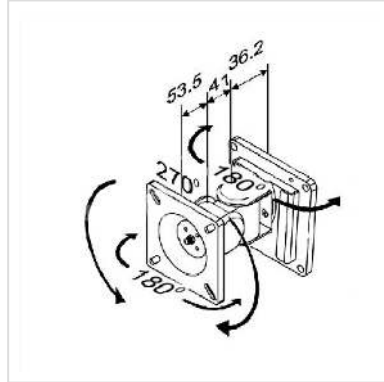


# VALUE LCD Monitor Wall Mount Kit, 2 Joints, black

<b>Product No.</b>	17.99.1121
<b>Manufacturer</b>	VALUE
<b>Manufacturer No.</b>	17.99.1121
<b>EAN (single piece)</b>	7611990191376



- For screen sizes: 36 cm up to 61 cm
- Weight capacity: up to 8 kg
- Tilttable: 180° up or down
- Rotatable: 180° right or left
- Swiveling (Pivot function): 270°
- Meets VESA standard VESA 75 (75 x 75 mm) and VESA 100 (100 x 100 mm)
- Material: Cold steel construction
- Colour: Black

## Technical specifications

Manufacturer	VALUE
Product group	LCD-Monitor arms
Product type	Monitor Arms, wall mount
Colour	black
Load capacity	8 kg
Quantity of pivots	2
Fixing	wall mount
Maximal arm length	100 mm
Adjustments	Adjustable spring gauge
Number of monitors	1

VESA 75 x 75 mm	yes
VESA 100 x 100 mm	yes
Material group	metal
Weight	731.4 g
Height of packaging (single piece)	150 mm
Width of packaging (single piece)	120 mm
Depth of packaging (single piece)	120 mm
Package weight (single piece)	0.6 kg