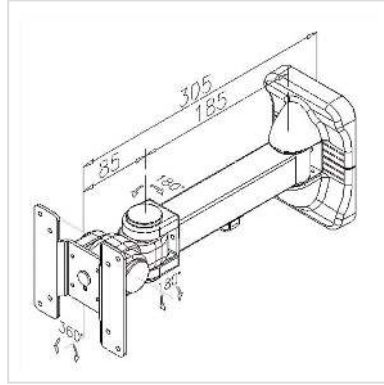


VALUE LCD Monitor Wall Mount Kit, 3 Joints

Product No.	17.99.1126
Manufacturer	VALUE
Manufacturer No.	17.99.1126
EAN (single piece)	7611990185696



- Space saving mounting of a monitor on a wall
- Mount your LCD monitor on the wall with a 30 cm long arm
- Inclination adjustable over joints
- Meets with VESA 75 x 75 mm or 100 x 100 mm
- Weight capacity: 10 kg

Technical specifications

Manufacturer	VALUE
Product group	LCD-Monitor arms
Product type	Monitor Arms, wall mount
Colour	grey
Load capacity	10 kg
Quantity of pivots	4
Fixing	wall mount
Maximal arm length	200 mm
Adjustments	Adjustable spring gauge
Inclinable	yes
Number of monitors	1
VESA 75 x 75 mm	yes

VESA 100 x 100 mm	yes
-------------------	-----

Material group	metal
----------------	-------

Weight	1781.1 g
--------	----------

Height of packaging (single piece)	170 mm
---------------------------------------	--------

Width of packaging (single piece)	130 mm
--------------------------------------	--------

Depth of packaging (single piece)	320 mm
--------------------------------------	--------

Package weight (single piece)	1.931 kg
----------------------------------	----------