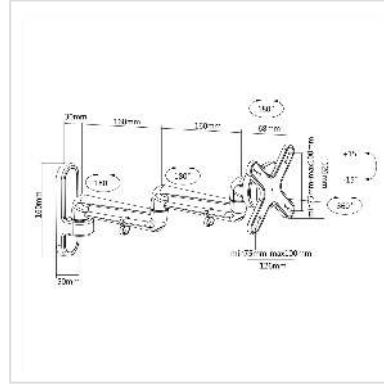


VALUE LCD Monitor Wall Mount Kit, 4 Joints

Product No.	17.99.1129
Manufacturer	VALUE
Manufacturer No.	17.99.1129
EAN (single piece)	7611990149858



- The LCD monitor arm can be flexibly adapted to the best viewing angle for the user
- For wall mounting
- Cable clips for fixing the monitor cable to the arm is included
- Meets VESA 75 (75x75 mm) or VESA 100 (100x100 mm)

Technical specifications

Manufacturer	VALUE
Product group	LCD-Monitor arms
Product type	Monitor Arms, wall mount
Colour	grey
Load capacity	15 kg
Quantity of pivots	5
Fixing	wall mount
Maximal arm length	418 mm
Adjustments	Adjustable spring gauge
Number of monitors	1
VESA 75 x 75 mm	yes
VESA 100 x 100 mm	yes
Material group	metal

Weight	1239.3 g
Height of packaging (single piece)	105 mm
Width of packaging (single piece)	255 mm
Depth of packaging (single piece)	280 mm
Package weight (single piece)	1.62 kg