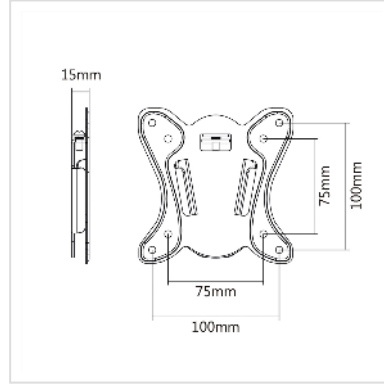


# VALUE LCD Monitor Wall Mount Kit

<b>Product No.</b>	17.99.1141
<b>Manufacturer</b>	VALUE
<b>Manufacturer No.</b>	17.99.1141
<b>EAN (single piece)</b>	7611990150106



- Space saving and solid mounting of a monitor on walls
- Easy to mount with sliding bracket design (2 pieces) - one piece has to be fixed to the wall, the other one has to be screwed with VESA on the monitor
- Slim design, just 15mm from the wall
- Monitor has to be mount from the upside into the wall mount
- Meets with VESA 75 (75 x 75 mm) or VESA 100 (100 x 100 mm)
- Load capacity: 25 kg

## Technical specifications

Manufacturer	VALUE
Product group	LCD-Monitor arms
Product type	Monitor Arms, wall mount
Colour	black
Load capacity	20 kg
Quantity of pivots	0
Fixing	wall mount
Maximal arm length	20 mm
Adjustments	Adjustable spring gauge
Number of monitors	1
VESA 75 x 75 mm	yes

VESA 100 x 100 mm	yes
Material group	metal
Height	120 mm
Width	120 mm
Weight	251.8 g
Height of packaging (single piece)	20 mm
Width of packaging (single piece)	130 mm
Depth of packaging (single piece)	130 mm
Package weight (single piece)	0.3 kg