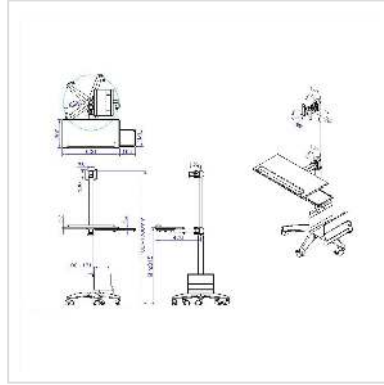


# VALUE Mobile PC Cart, silver

<b>Product No.</b>	17.99.1174
<b>Manufacturer</b>	VALUE
<b>Manufacturer No.</b>	17.99.1174
<b>EAN (single piece)</b>	7611990198467



- Mobile computing platform that can be used in factories, hospitals, etc.
- This model is fitted with wheels and allows easy movement of a full PC setup
- Carries one pc tower, keyboard and mouse platform and a LCD monitor
- Monitor and keyboard/mouse can be easily positioned to the exact working height
- For monitors with VESA 75 (75 x 75 mm) resp. VESA 100 (100 x 100 mm)
- LCD monitor adapter bracket provides swivel, tilt and rotation function
- Adjustable LCD monitor height from 110 cm to 170 cm
- 5 wheels, whereof 3 are lockable

## Technical specifications

Manufacturer	VALUE
Product group	LCD-Monitor arms
Product type	Mobile Carts
Colour	silver
Load capacity	10 kg
Adjustments	Adjustable spring gauge
Number of monitors	1

VESA 75 x 75 mm	yes
VESA 100 x 100 mm	yes
Material group	metal
Height	1700 mm
Width	600 mm
Depth	580 mm
Weight	12.55 kg
Height of packaging (single piece)	180 mm
Width of packaging (single piece)	700 mm
Depth of packaging (single piece)	1060 mm
Package weight (single piece)	17.7 kg