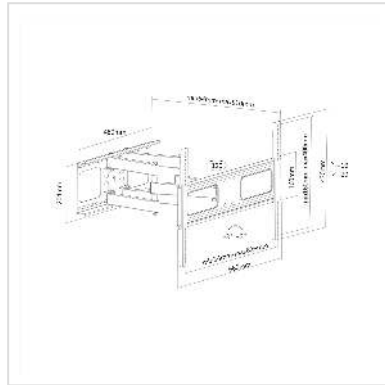


VALUE Solid Articulating Wall Mount TV Holder, up to 177.8cm (37" - 70")

Product No.	17.99.1205
Manufacturer	VALUE
Manufacturer No.	17.99.1205
EAN (single piece)	7611990171835



- Dual-arm full-motion wall mount for TVs (LED, LCD flat panel TVs) up to 177,8cm (37" - 70")
- Max. weight: 50kg
- This mount extends out 510mm from wall and allows TVs to turn 60° left or right
- Full motion allows maximum flexibility - tilts and swivel your TV for easy viewing from any seat in a room
- Post-installation level adjustment allows the TV to "roll" up to 3° clockwise and counterclockwise to ensure it's perfect level
- Integrated cable management system keeps cables organized and protected
- Wide wall plate fits for 406/450mm stud installation

Technical Data:

- Material: Steel
- Product weight: 7kg
- Recommended Screen Size: up to 177.8 cm (37"-70")
- Installation: Solid wall, Double Stud
- Max. Load Capacity: 50kg
- Max. Hole Pattern: 626X400mm
- VESA Standard: 200x200, 400x200, 300x300, 400x400, 600x400
- Max. VESA: 600x400
- Tilt: -20° ~ +10°
- Swivel: -60° ~ +60°
- Level

Technical specifications

Manufacturer	VALUE
Product group	LCD-Monitor arms
Product type	TV Wall Mount
Colour	black
Load capacity	50 kg
Fixing	Wall mount
Adjustments	Adjustable spring gauge
Inclinable	yes
Rotatable	yes
Wall distance	6.4 cm
Number of monitors	1
Max. Screen diagonal (cm)	177.8 cm
Max. Screen diagonal (inch)	70 inch
Min. Screen diagonal (cm)	94 cm
Min. Screen diagonal (inch)	37 inch
VESA 200 x 200 mm	yes
VESA 300 x 300 mm	yes
VESA 400 x 200 mm	yes
VESA 400 x 300 mm	yes
VESA 400 x 400 mm	yes
VESA 600 x 200 mm	yes
VESA 600 x 400 mm	yes
Material group	metal
Weight	6991.5 g
Height of packaging (single piece)	74 mm

Width of packaging (single piece)	220 mm
--------------------------------------	--------

Depth of packaging (single piece)	705 mm
--------------------------------------	--------

Package weight (single piece)	7.5 kg
----------------------------------	--------