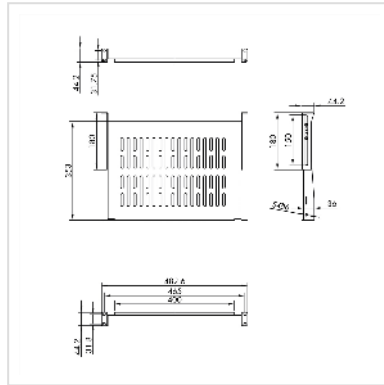


VALUE 19"-Fixed Shelf, 485 x 350mm, max. 25kg, 1U, black

| | |
|---------------------------|---------------|
| Product No. | 26.99.0402 |
| Manufacturer | VALUE |
| Manufacturer No. | 26.99.0402 |
| EAN (single piece) | 7630049627086 |



Mounting rack for installation in 19-inch cabinets and wall-mounted enclosures

- 19" fixed shelf with maximum load capacity of 10 kg (25 kg with angled brackets)
- Suitable for cabinets and wall-mounted enclosures from 600 mm depth
- Angle brackets included

REMARK:

Increased load capacity of 25 kg when using angle brackets (requires rear 19" plane)

Technical specifications

| | |
|-----------------------------------|-------------------------|
| Manufacturer | VALUE |
| Product group | 19"-/10"-Equipment rack |
| Product type | 19"-tool carriers |
| Colour | black |
| Extractable | no |
| 19" shelves required for mounting | 1 |
| Footprint (WxD) | 440 x 350 mm |
| Max. load capacity | 25 kg |
| Required mounting height | 1U |

| | |
|---------------------------------------|--------|
| Height | 44 mm |
| Width | 485 mm |
| Depth | 350 mm |
| Weight | 1820 g |
| Height of packaging (single piece) | 70 mm |
| Width of packaging (single piece) | 500 mm |
| Depth of packaging (single piece) | 370 mm |
| Package weight (single piece) | 2 kg |